

cuckoolandTM.com

LIVE IN THE WOW

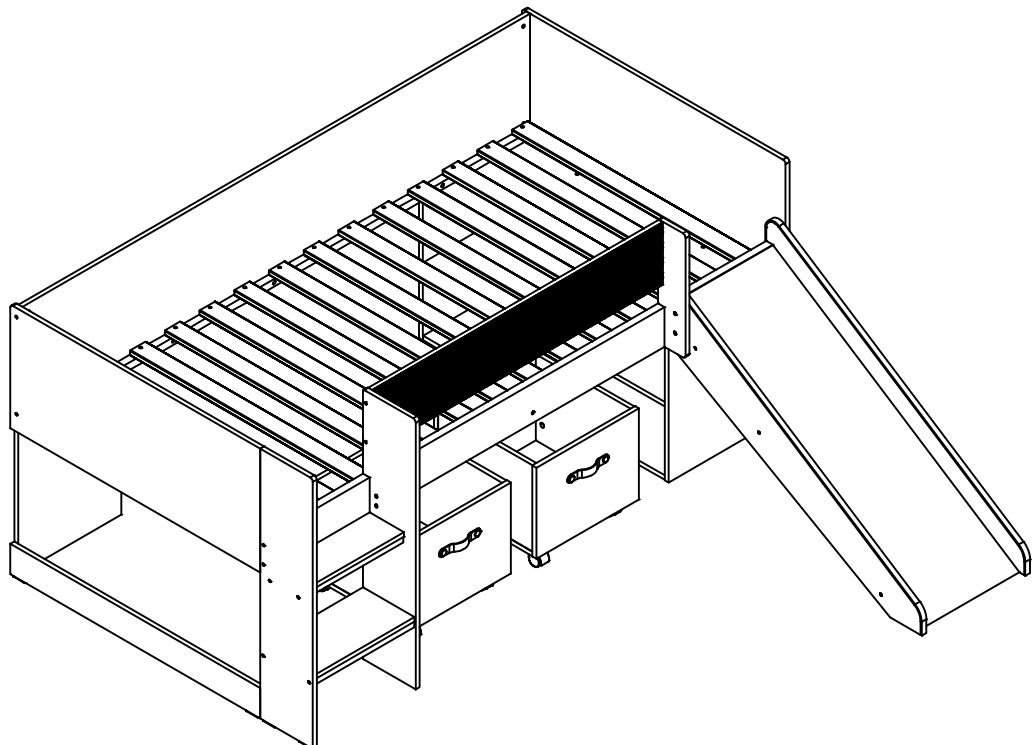
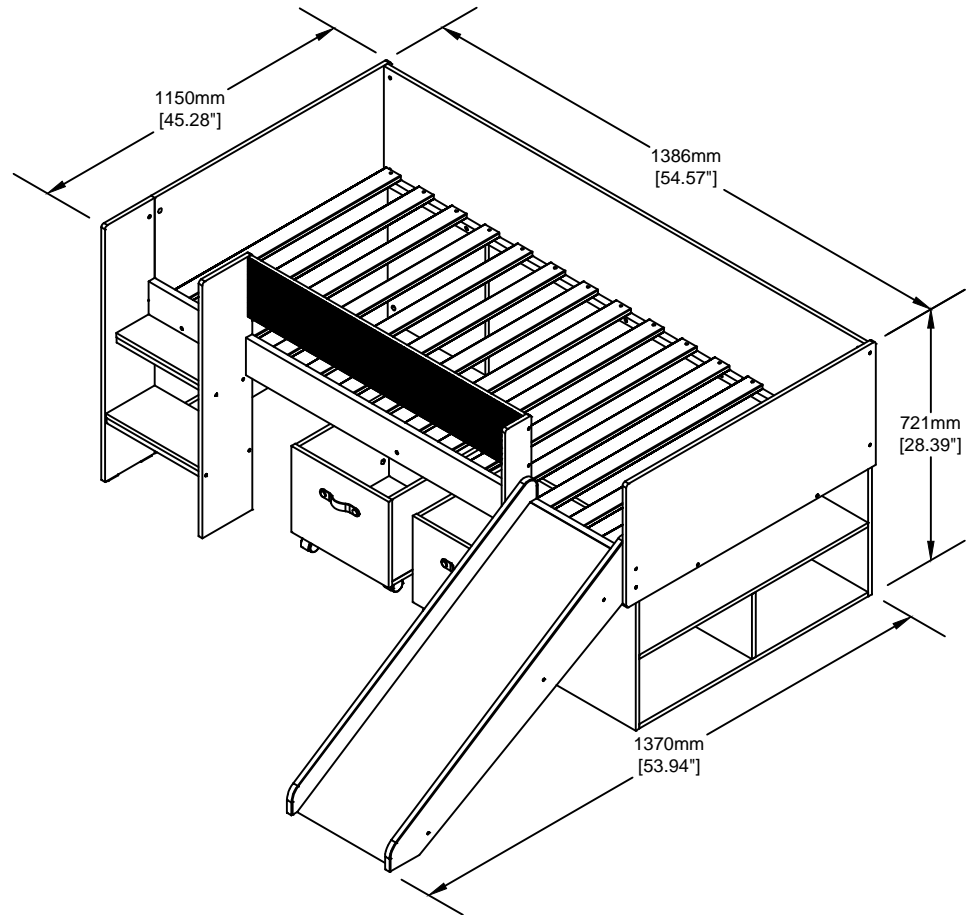
Maxxi Cabin Bed

Assembly Instructions

Model : MG 7774

Product Size : 920mm x 1930mm (Base Int Size)

Thank you for purchasing this product. Before starting assembly we suggest you spend a short time reading through this leaflet, then follow the simple step by step guide. Two people are needed to assemble this product.



Model : MG 7774

Product Size : 920mm x 1930mm (Base Int Size)

TOP TIPS BEFORE YOU START !

IMPORTANT - READ CAREFULLY - RETAIN FOR FUTURE REFERENCE

1. Please check that all parts & hardware are present before you start the assembly of your furniture.
2. For ease and speed of assembly, we recommend that before you commence each step of the assembly, Please identify all the parts required for that step.
3. We recommend that where possible, all items are assembled near to the area in which they will be placed in use, to avoid moving the product unnecessarily once assembled.
4. For the protection of your furniture, particularly items of high gloss finish, we recommend that the product is placed on a Protected surface during assembly to prevent any damage.
5. During assembly please take care not to over-tighten any fittings, as this may damage the product.

CARE AND MAINTENANCE OF YOUR FURNITURE

- Please periodically check all fittings and re-tighten as necessary.
- To clean your item, please use a damp cloth and wipe clean.
- Never allow any kind of liquid to remain on your furniture. Absorption can cause wood to warp or finishes to de-laminate.
- Please do not place hot items (e.g hot drinks) directly on the wood surface.
- Please do not drag or pull your furniture.

IMPORTANT INFORMATION

1. Thickness of mattress should not exceed 184mm.
2. Children should be discouraged from playing on top of this bunk bed.
3. The bunk bed should be checked periodically by the owner to ensure that the guardrail, ladder, and other components are maintained in the correct position and state of repair and that all connectors are tight.
4. A bunk bed is not to be placed near a ceiling fan unless the distance between the closest points on the ceiling fan bunk Bed is at least 2 metres.
5. Use guardrails on both sides of upper bunk.
6. Prohibit horseplay on or under bed(s).
7. Prohibit more than one person on upper bunk.
8. Use Ladder for entering and leaving upper bunk.
9. If the bunk bed will be placed next to the wall, the guardrail that runs the full length of the bed should be placed against The wall to prevent entrapment between the bed and the wall.
10. **WARNING** Do not use the bunk bed/high bed if any structural part is broken or missing.
11. Ventilation of the room is necessary in order to keep the humidity low and to prevent mould in and around the bed.
12. **WARNING** "high beds & the upper bed of bunk beds are not suitable for children under six years due to risk of injury from falls";
13. **WARNING** "children can become trapped between the bed & the wall, a roof pitch, the ceiling, adjoining pieces of furniture (e.g.cupboard) and the like. To avoid risk of serious injury the distance between the top safety barrier and the adjoining structure shall not exceed 75mm nor shall be more than 230mm"
14. always follow the manufacturer's instruction;
15. Recommended Mattress Size : 90cm x 190cm (UK Single) with Maximum Depth of 18.4cm
16. This item conforms to European Safety Standards - BS EN 747-1 : 2012 + A1 : 2015 & BS EN 747-2 : 2012 + A1 : 2015
17. **WARNING** "Bunk beds and high beds can present a serious risk of injury from strangulation if not used correctly. Never attach or hang items to any part of the bunk bed that are not designed to be used with the bed, for example, but not limited to ropes, strings, cords, hooks, belts and bags"
18. High beds and the upper bed of bunk beds is suitable for a maximum mattress thickness of 184mm. The top of mattress must not come above the line marked on the bed.

STRANGULATION HAZARD:

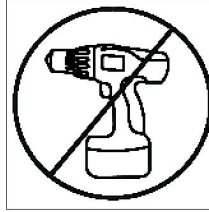
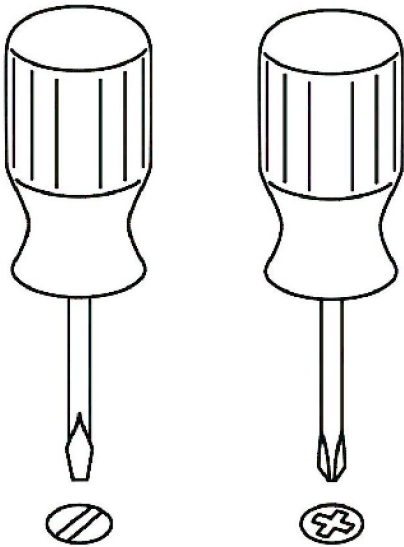
19. Never attach or hang items to any part of the bunk bed that are not designed for use with the bed for example, but not limited to hook, belt and jump ropes.

Guide To Assembly

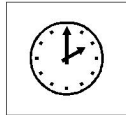
Model : MG 7774

Tools Required For Assembly

Phillips Screw Driver



DO NOT USE POWER TOOLS TO ASSEMBLE THIS PRODUCT. USE OF POWER TOOLS WILL INVALIDATE ANY CLAIM AND MAY DAMAGE THIS PRODUCT MAKING IT UNSAFE.

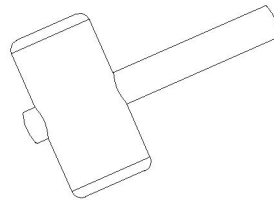


Approximately 3 hour

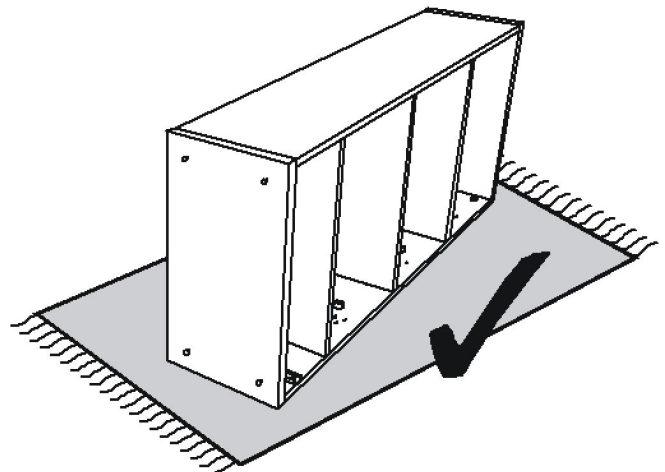
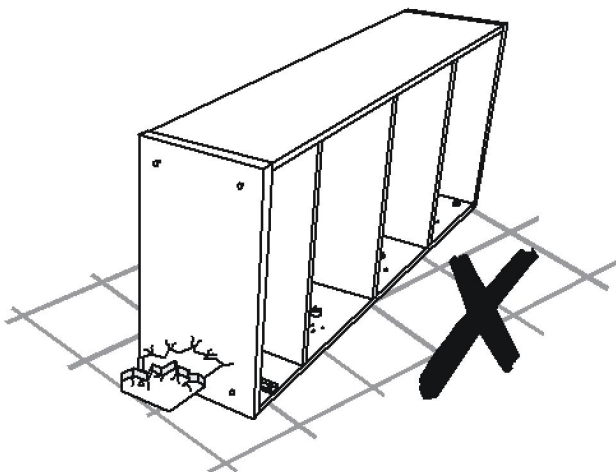
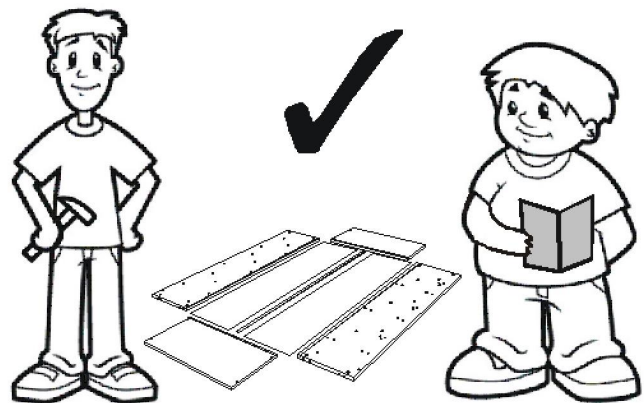
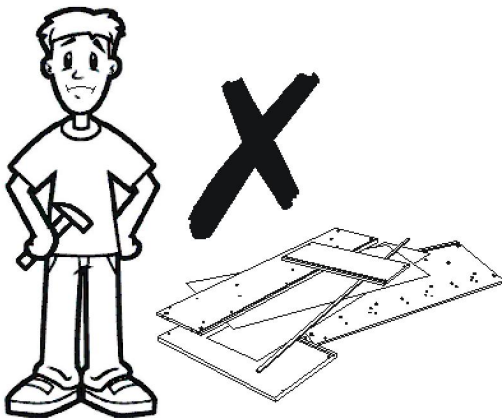
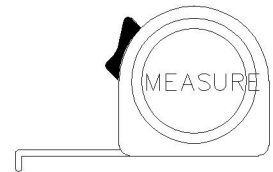


2 People Required

Rubber Hammer



Tape Measure



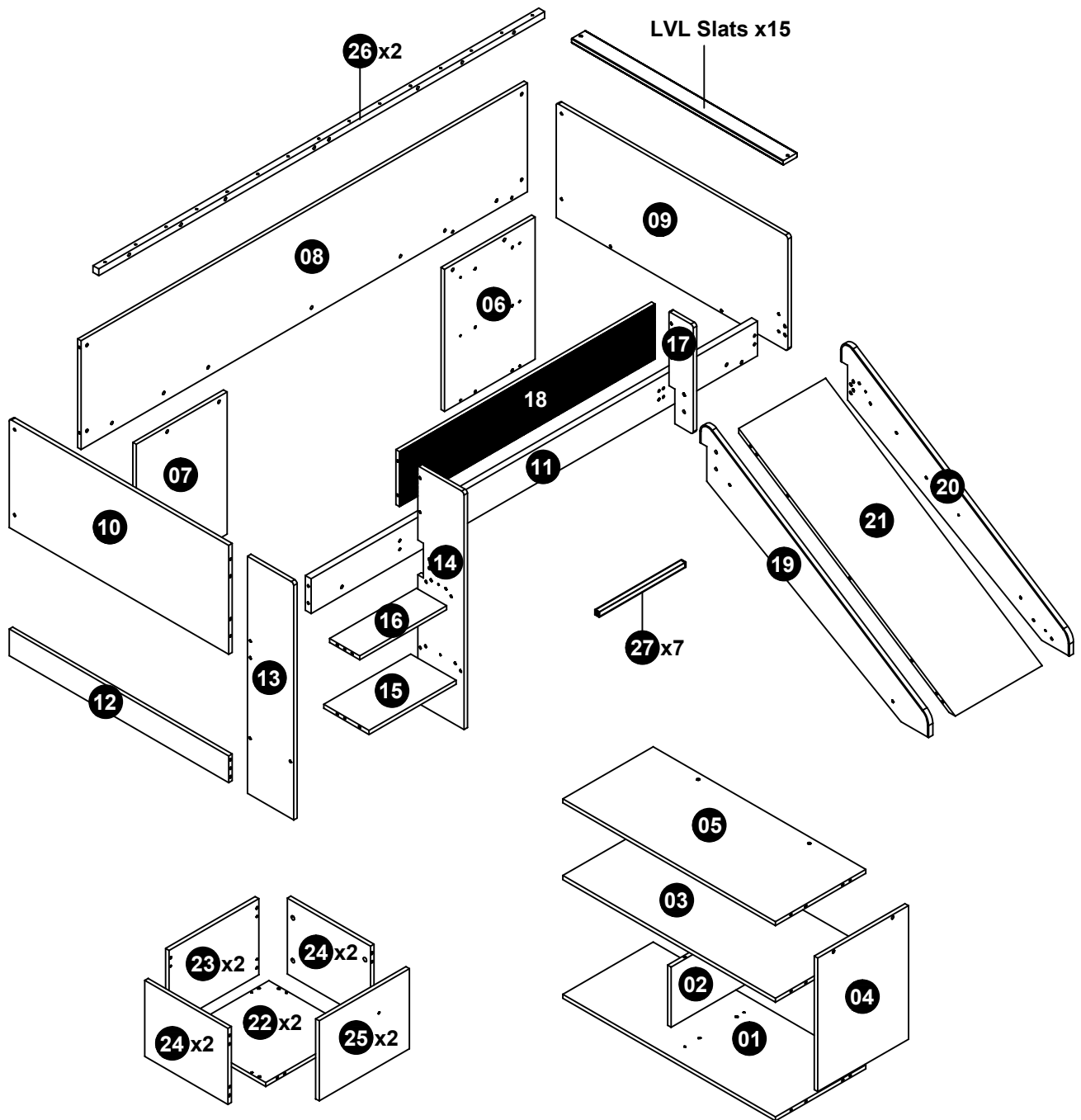
Part List

Model : MG 7774

Carton 1 of 3			Carton 3 of 3		
No.	Part Name	Pcs	No.	Part Name	Pcs
08	Side Panel (Back)	1	06	Side Support Panel (Right)	1
11	Side Panel (Bottom)	1	07	Side Support Panel (Left)	1
19	Left Panel (Slide)	1	09	Right End Panel	1
20	Right Panel (Slide)	1	10	Left End Panel (Upper)	1
21	Slide Panel	1	12	Left End Panel (Bottom)	1
26	Side Rail	2	13	Left Panel (Ladder)	1
27	Ladder Support Rail	7	14	Right Panel (Ladder)	1
Assembly Instructions + Fitting List			15	1st Step Panel (Ladder)	1
			16	2nd Step Panel (Ladder)	1
			17	Support Panel	1
Carton 2 of 3			18	Front Side Panel (Upper)	1
01	Bottom Panel (Shelf)	1	22	Bottom Panel (Storage)	2
02	Support Panel (Shelf)	1	23	Back Panel (Storage)	2
03	Center Panel (Shelf)	1	24	Right & Left Panel (Storage)	4
04	Right Panel (Shelf)	1	25	Front Panel (Storage)	2
05	Top Panel (Shelf)	1			
	LVL Slats	15			

Part List

Model : MG 7774



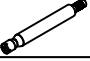





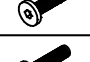









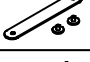





Fitting List

Model : MG 7774

Carton 2 of 3

Fitting List

No.	Part Name		Pcs
A	Cam Stud (small)		50
B	Cam		52
C	Contractfic Dowel		2
D	M8 x 25mm Wood Dowel		68
E	M6 x 60mm Allen Bolt		8
F	M6 x 50mm Allen Bolt		18
G	M6 x 45mm Allen Bolt		3
H	M6 x 40mm Allen Bolt		2
J	M6 x 35mm Allen Bolt		19
K	M6 x 30mm Allen Bolt		30
L	M6 x 25mm Allen Bolt		4
M	M6 x 13mm Baller		18
N	M6 Round Nut		6
P	M6 JCN NUT		12
Q	M6 Allen Wrench		2
R	Felt Pads (45 x 14mm)		20
S	45mm Chipboard Screw		12
T	14mm Chipboard Screw		32
U	VK-38p Caster Wheel w/o Stopper		8
V	128mm Leather Handle (Brown)		2
W	18mm Handle Screw		4
X	Sticker 25mm		12+2

Caution

There are many small components used in the construction of this unit. These loose items should be kept away from young children whilst assembling your unit. As an extra precaution, screw cover caps should be permanently fixed in position. (Where applicable)

USEFUL HINTS & TIPS

Two people will be required to assemble this unit

Please keep this assembly instruction for future reference

Guide To Assembly

Model : MG 7774

1



A x 16



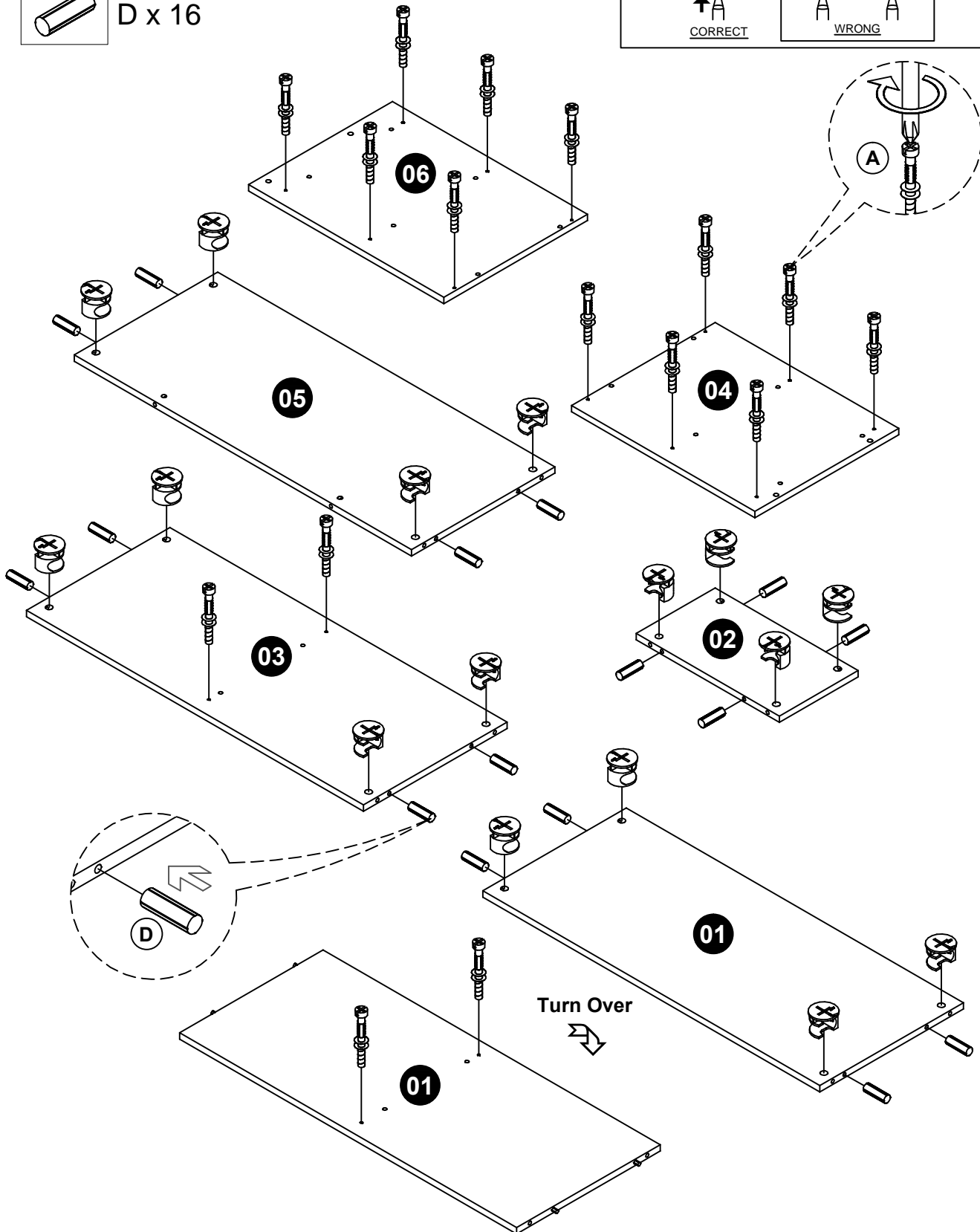
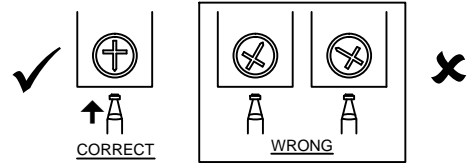
B x 16



D x 16

WHEN FITTING CAMS

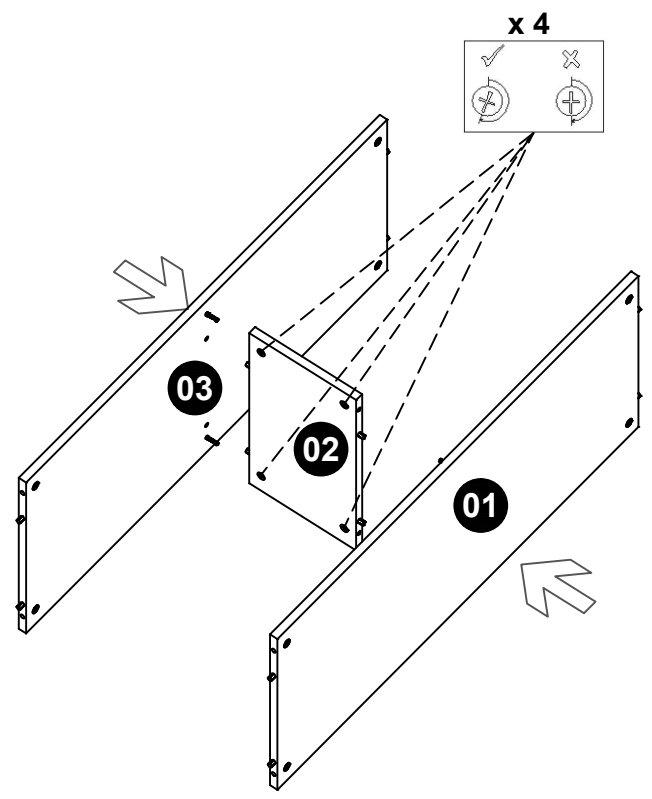
ENSURE STARTING POSITION IS CORRECT
BEFORE YOU INSERT CONNECTING BOLT
TURN CLOCKWISE UNTIL SECURE



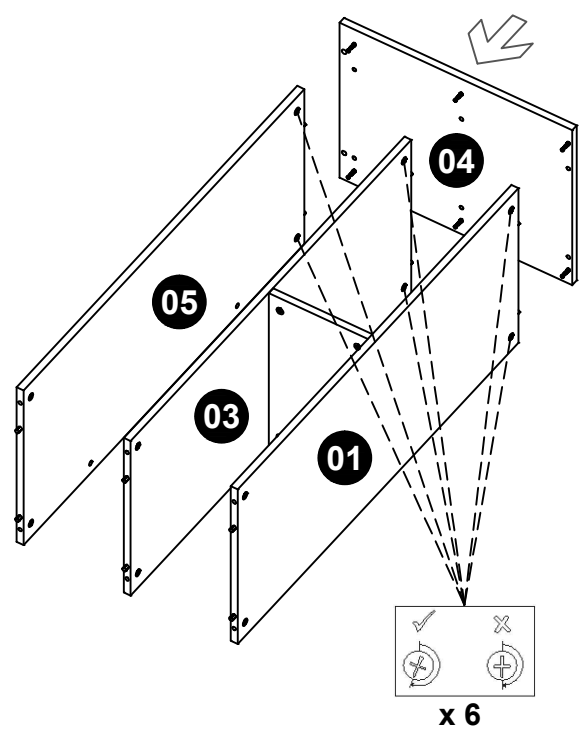
Guide To Assembly

Model : MG 7774

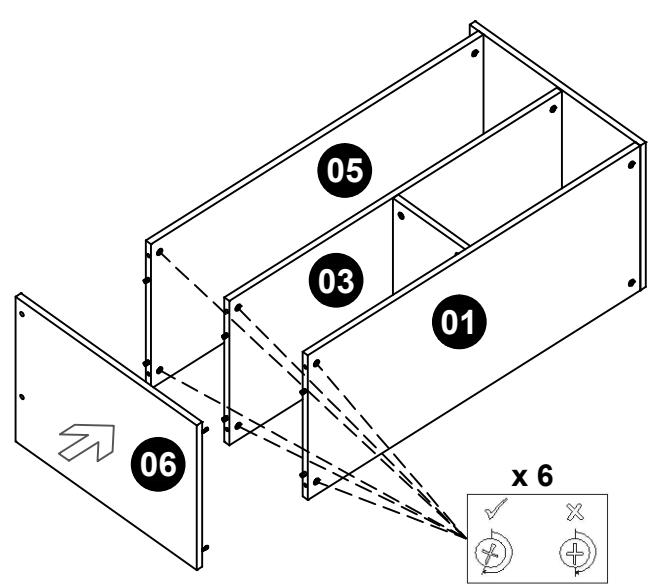
2




3

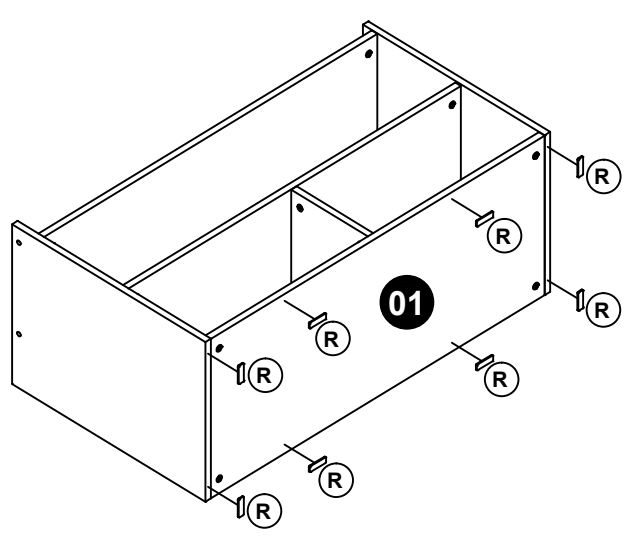


4









5

 R x 8

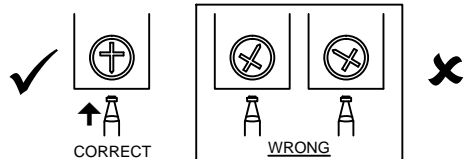


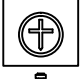
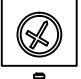

Guide To Assembly



Model : MG 7774

- 6  A x 8
-  B x 8
-  C x 2
-  D x 10
-  M x 4
-  R x 8

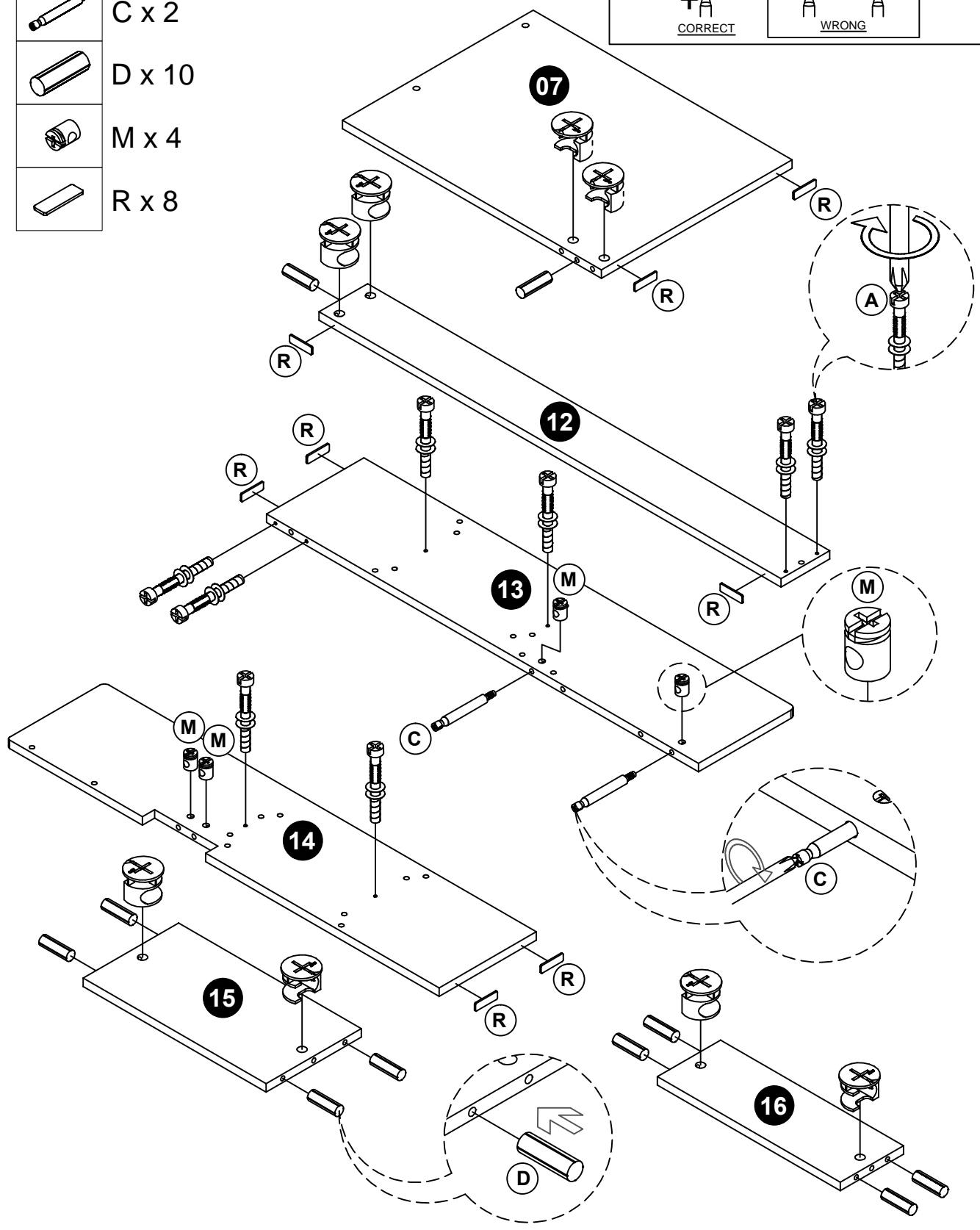
WHEN FITTING CAMS
 ENSURE STARTING POSITION IS CORRECT
 BEFORE YOU INSERT CONNECTING BOLT
 TURN CLOCKWISE UNTIL SECURE



✓    X

↑  

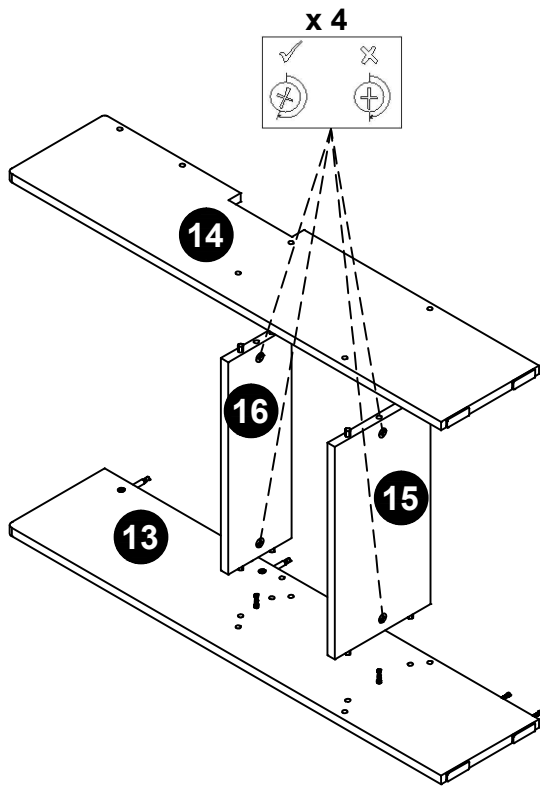
CORRECT WRONG




Guide To Assembly

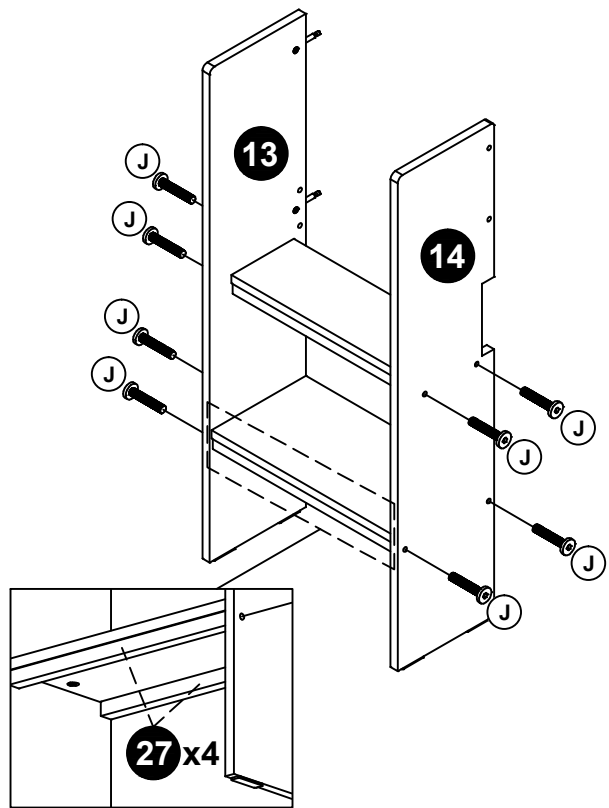
Model : MG 7774

7




8

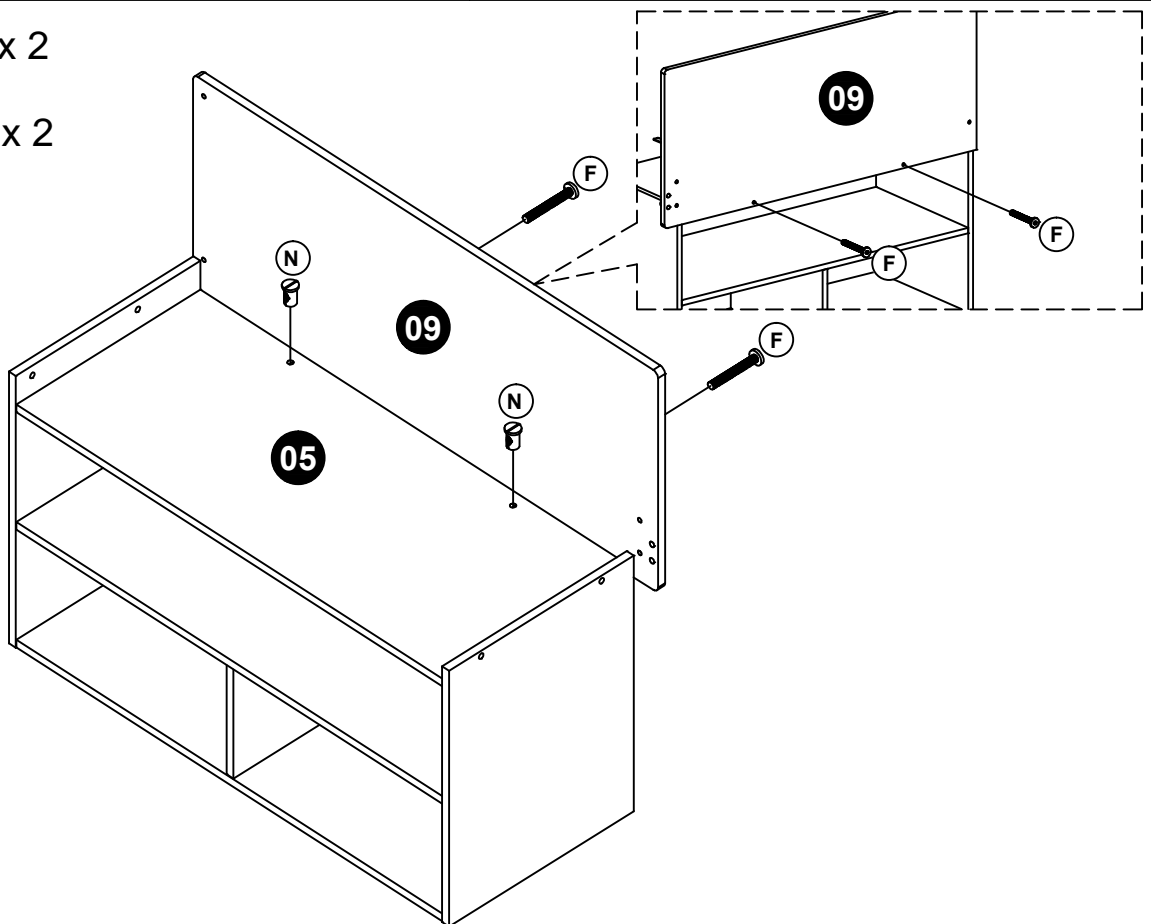
 J x 8



9

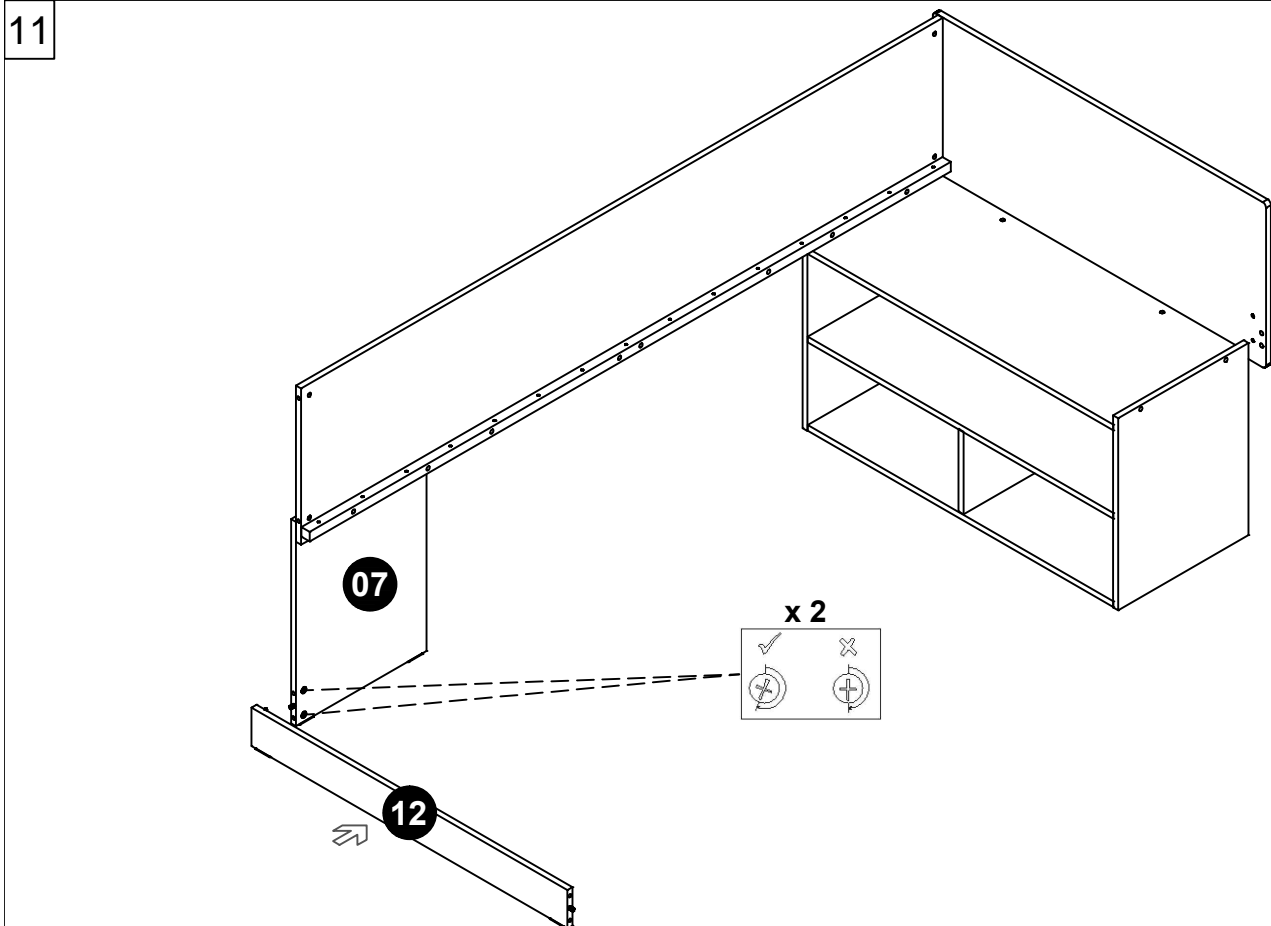
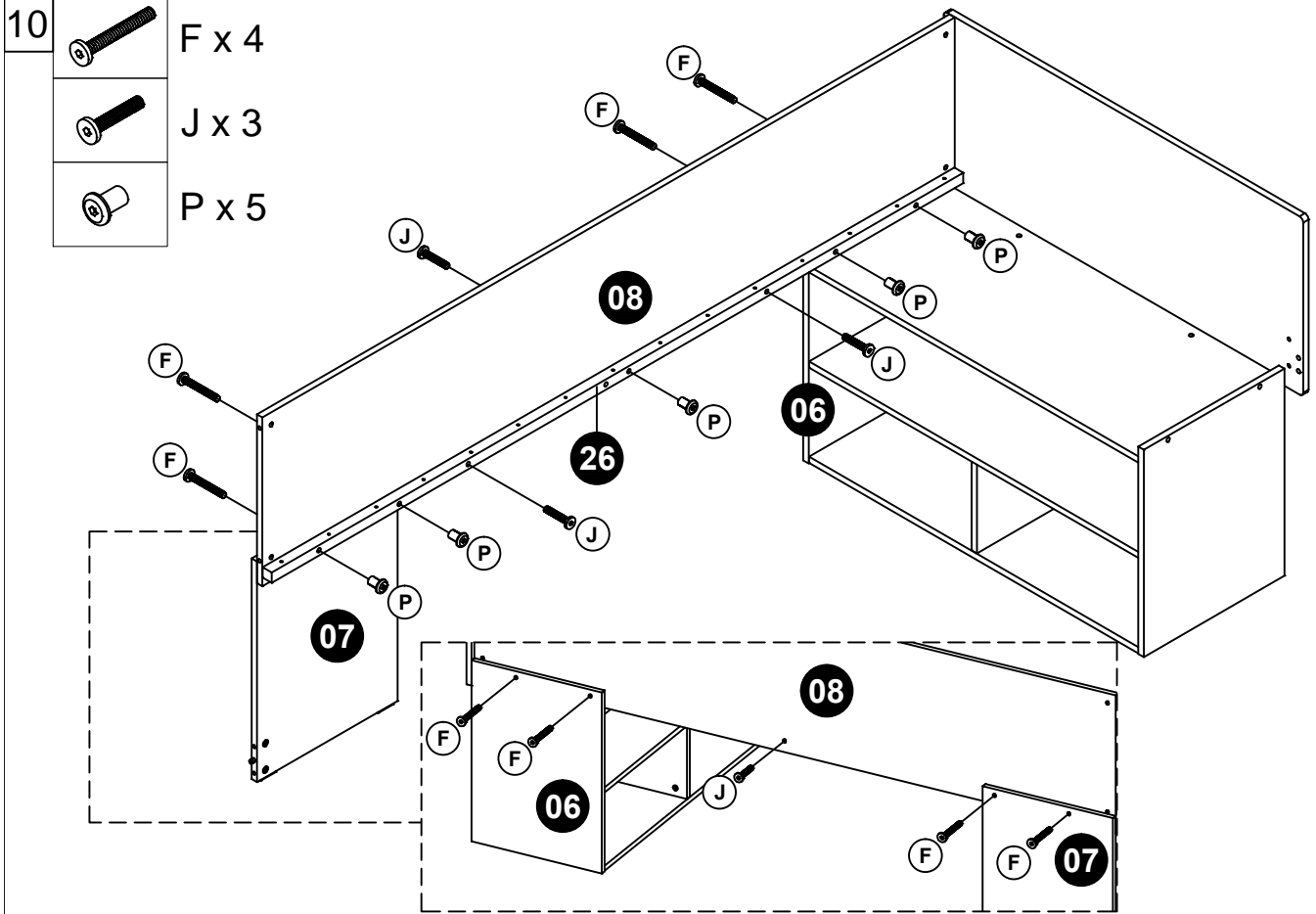
 F x 2

 N x 2



Guide To Assembly

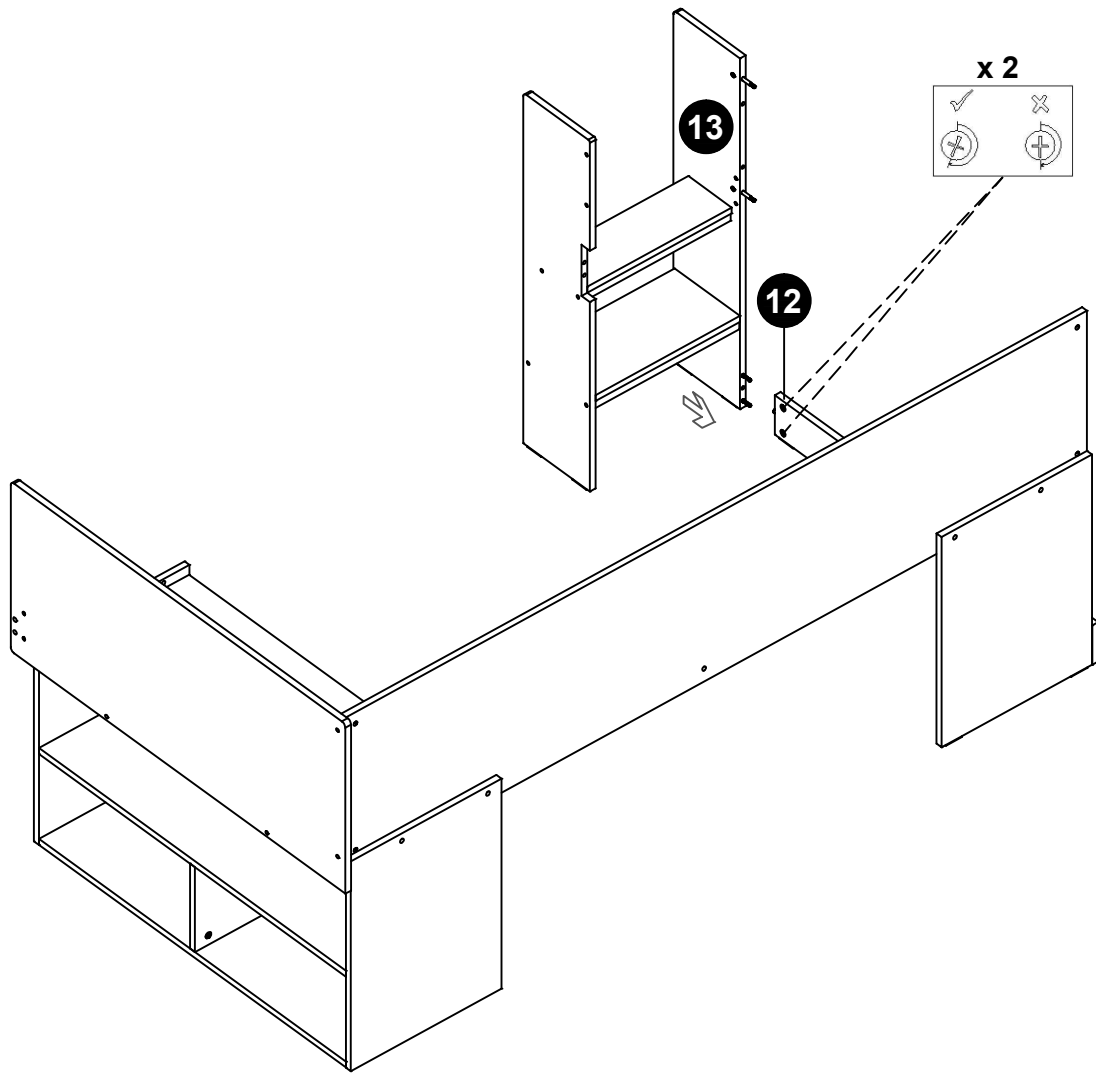
Model : MG 7774



Guide To Assembly

Model : MG 7774

12



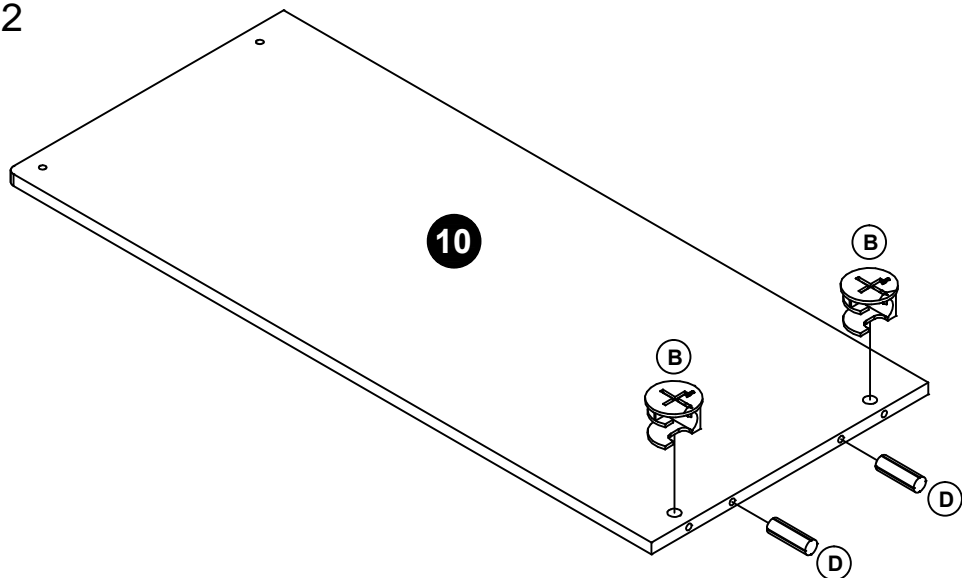
13



B x 2



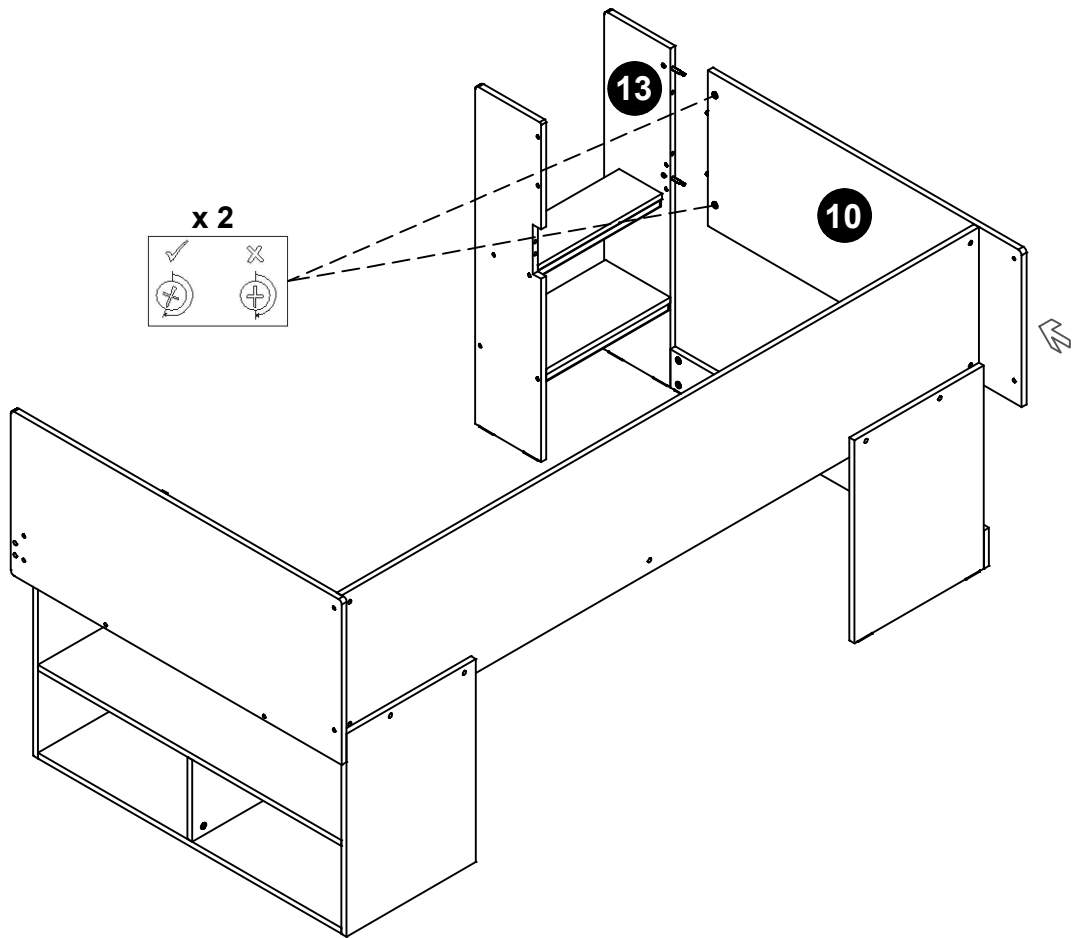
D x 2



Guide To Assembly

Model : MG 7774

14



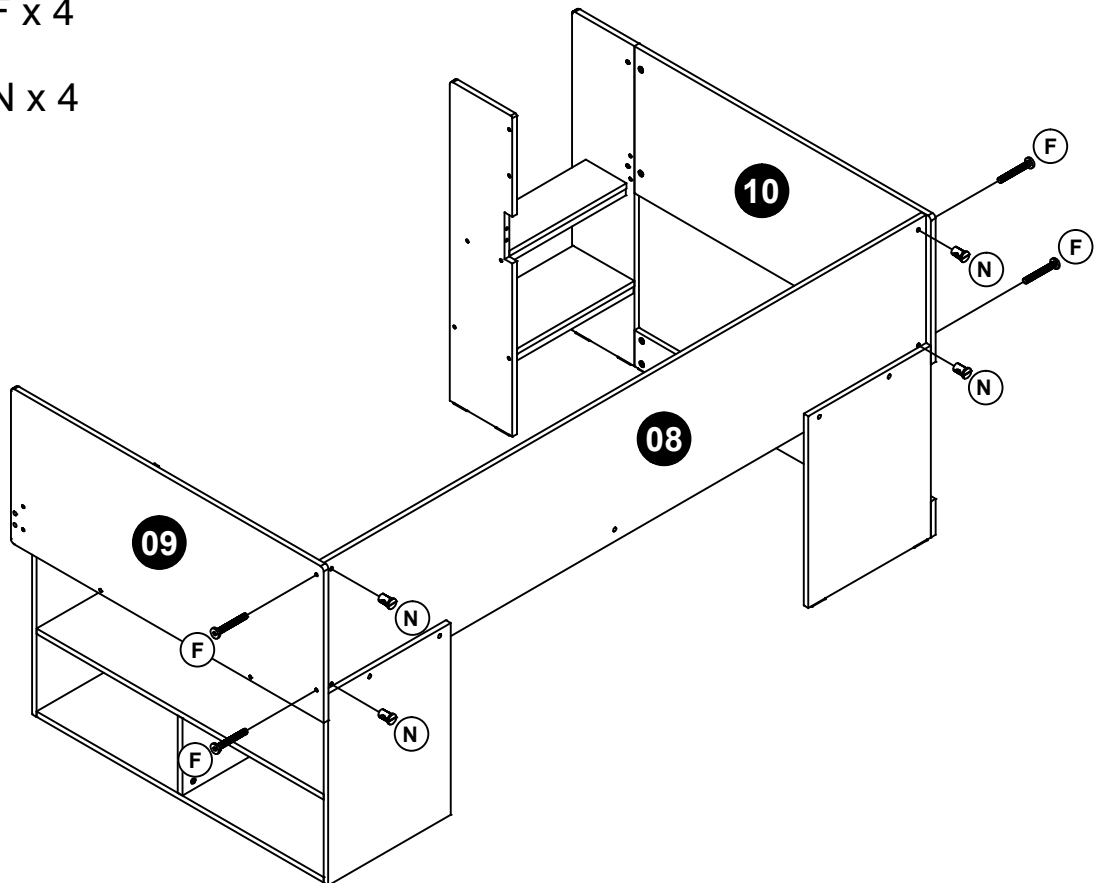
15



F x 4






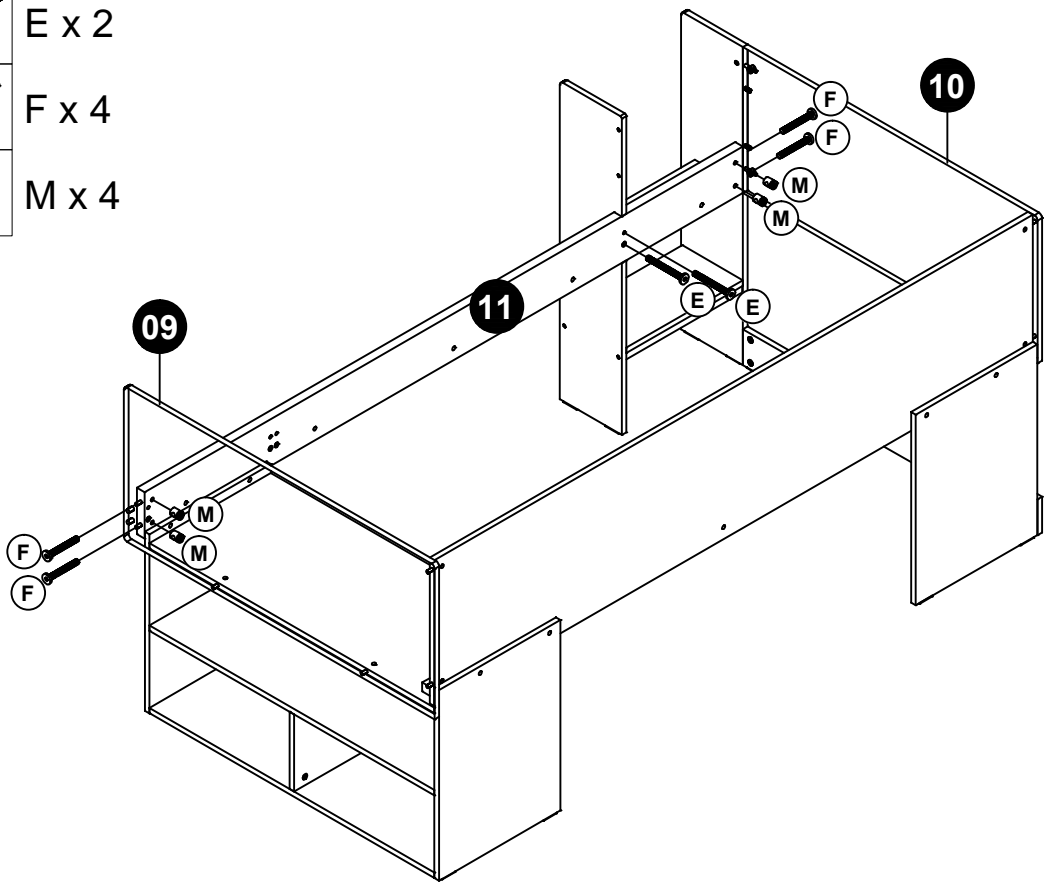
N x 4





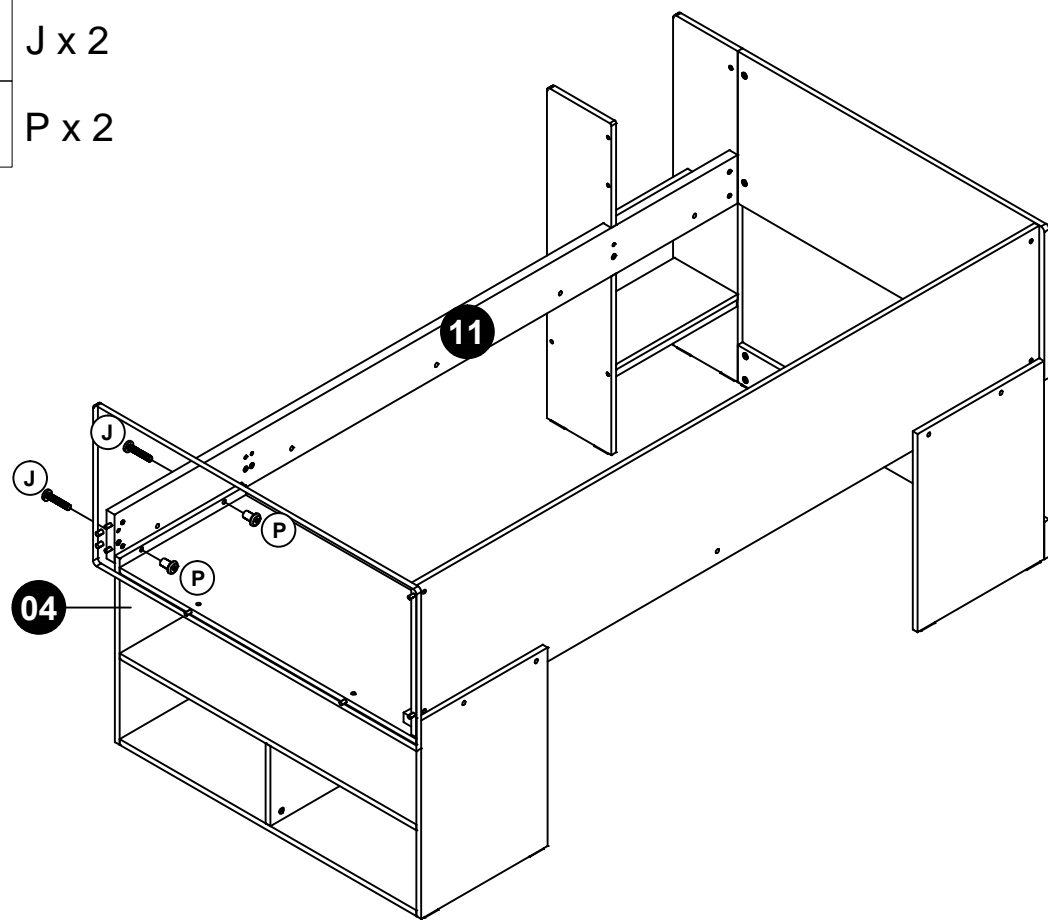
Guide To Assembly

Model : MG 7774

- 16
-  E x 2
 -  F x 4
 -  M x 4







- 17
-  J x 2
 -  P x 2

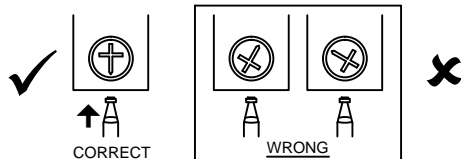





Guide To Assembly


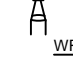

Model : MG 7774

- 18
-  A x 6
 -  B x 6
 -  D x 8
 -  M x 4

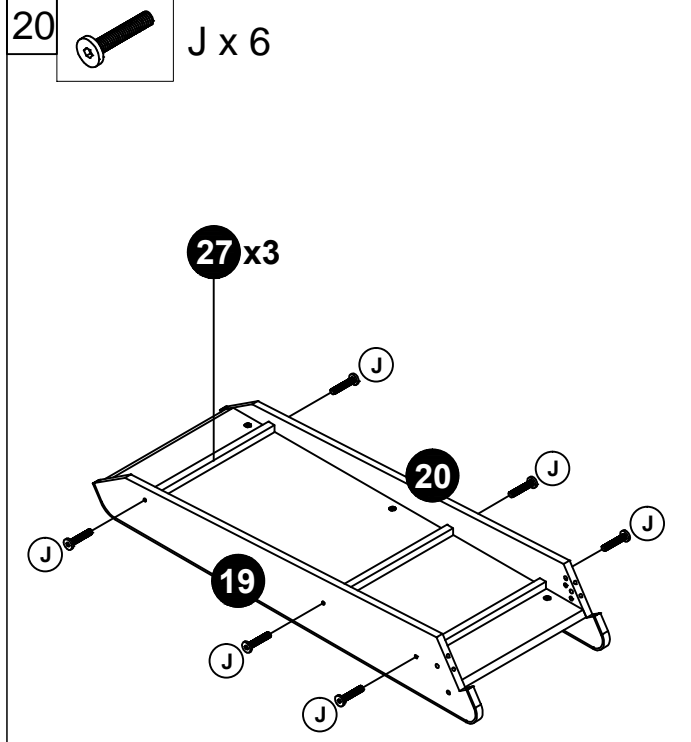
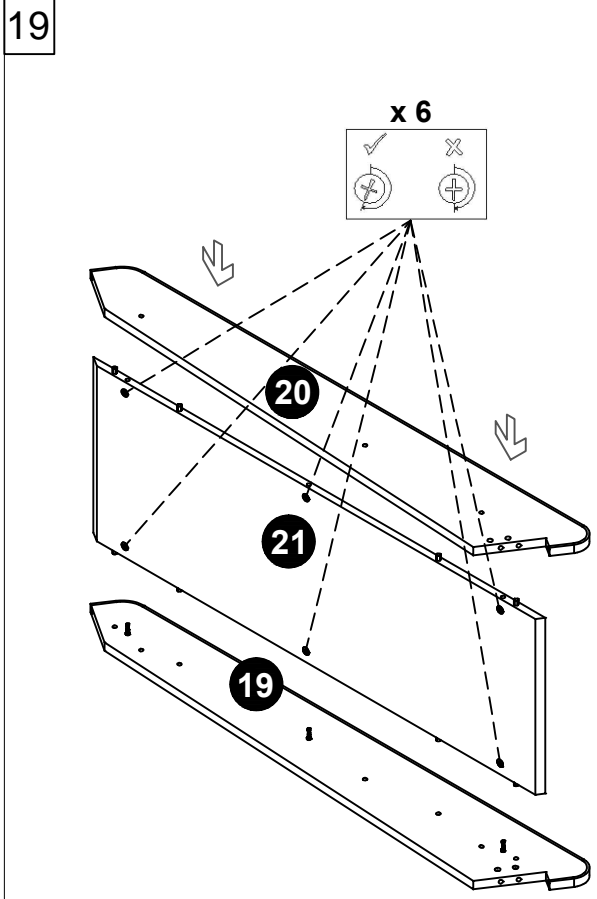
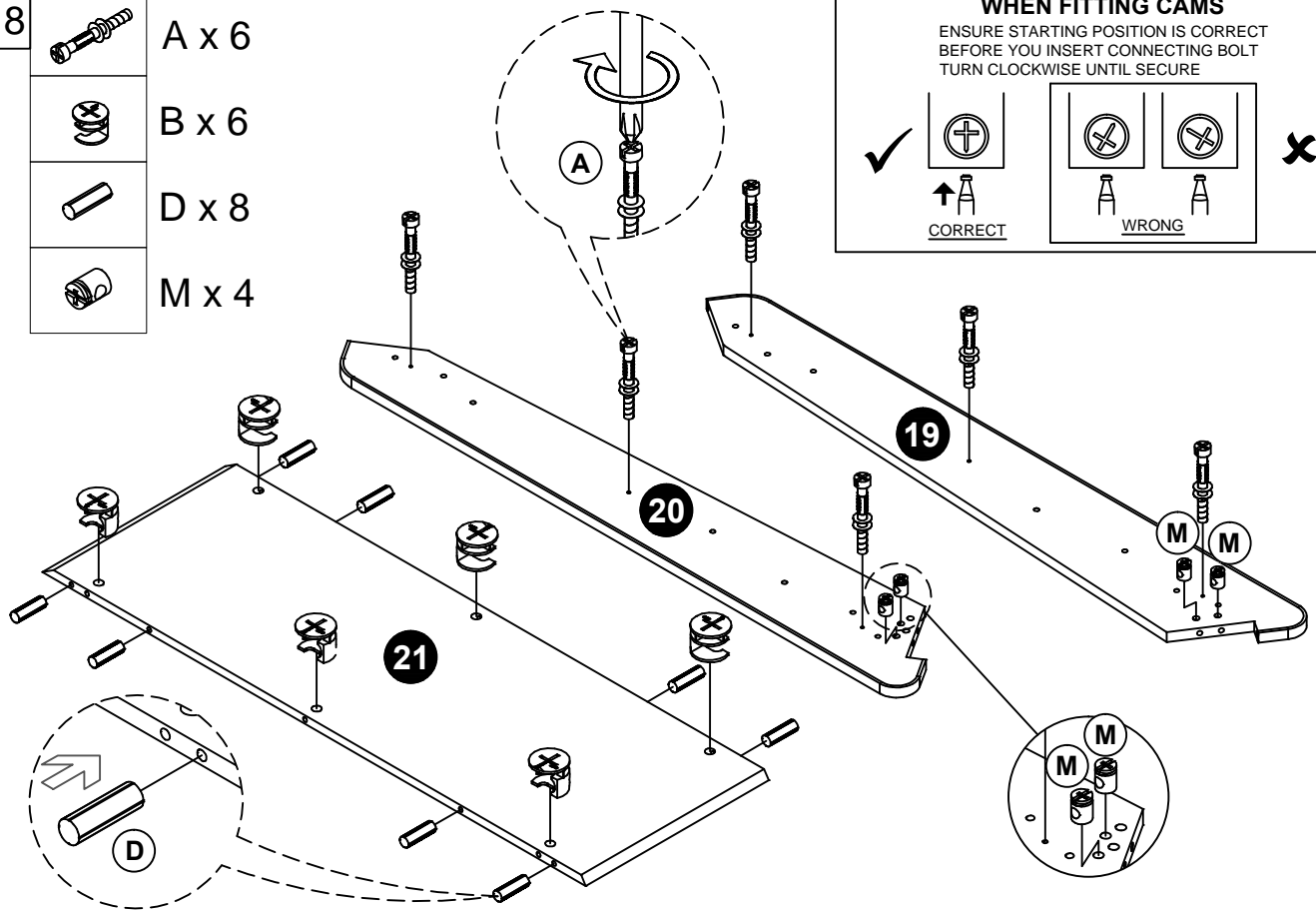
WHEN FITTING CAMS
 ENSURE STARTING POSITION IS CORRECT
 BEFORE YOU INSERT CONNECTING BOLT
 TURN CLOCKWISE UNTIL SECURE



✓    ✗

↑   

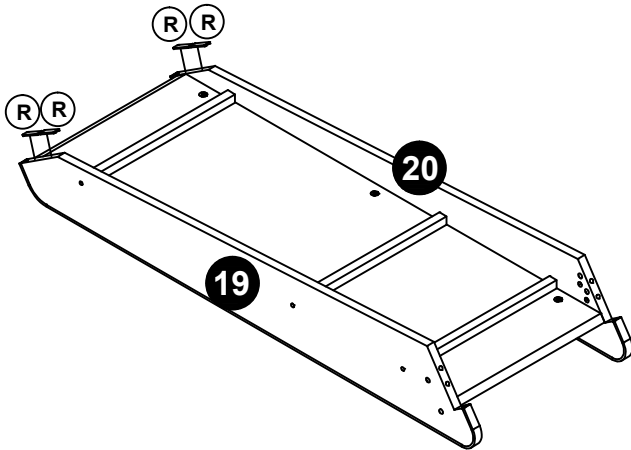
CORRECT WRONG



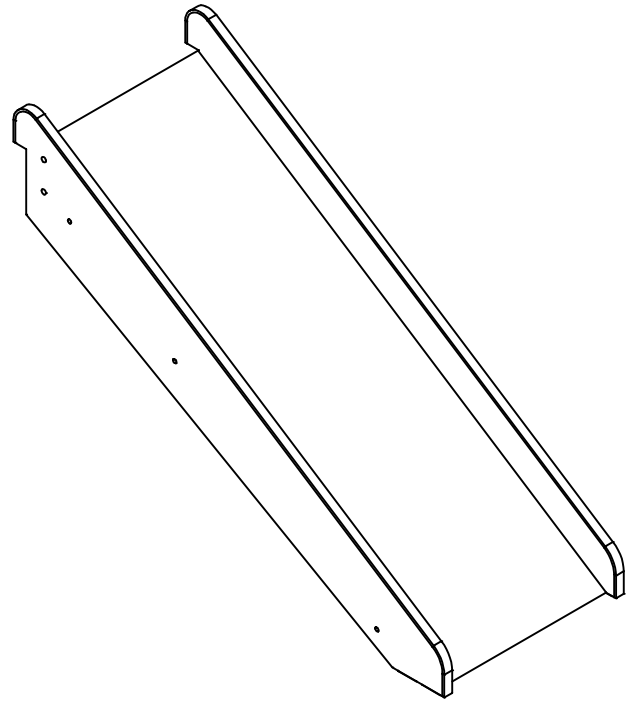
Guide To Assembly

Model : MG 7774

21  R x 4

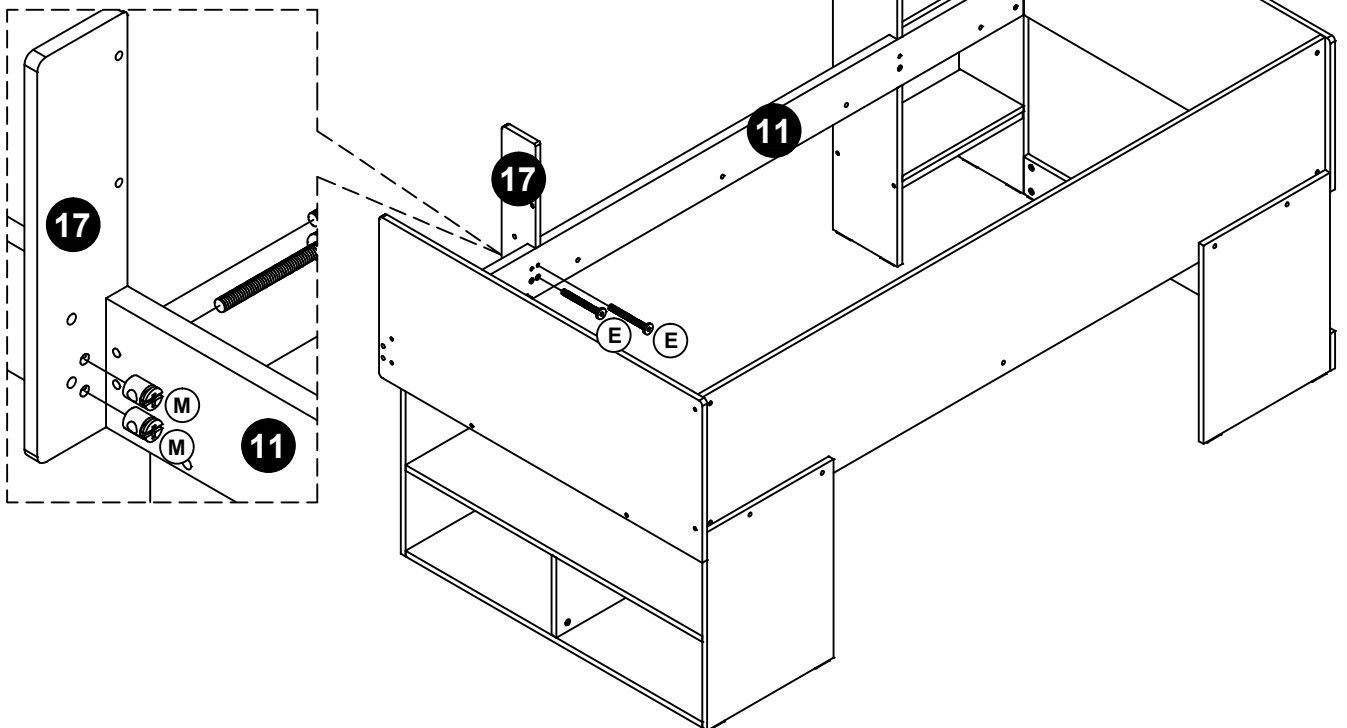


22



23  E x 2

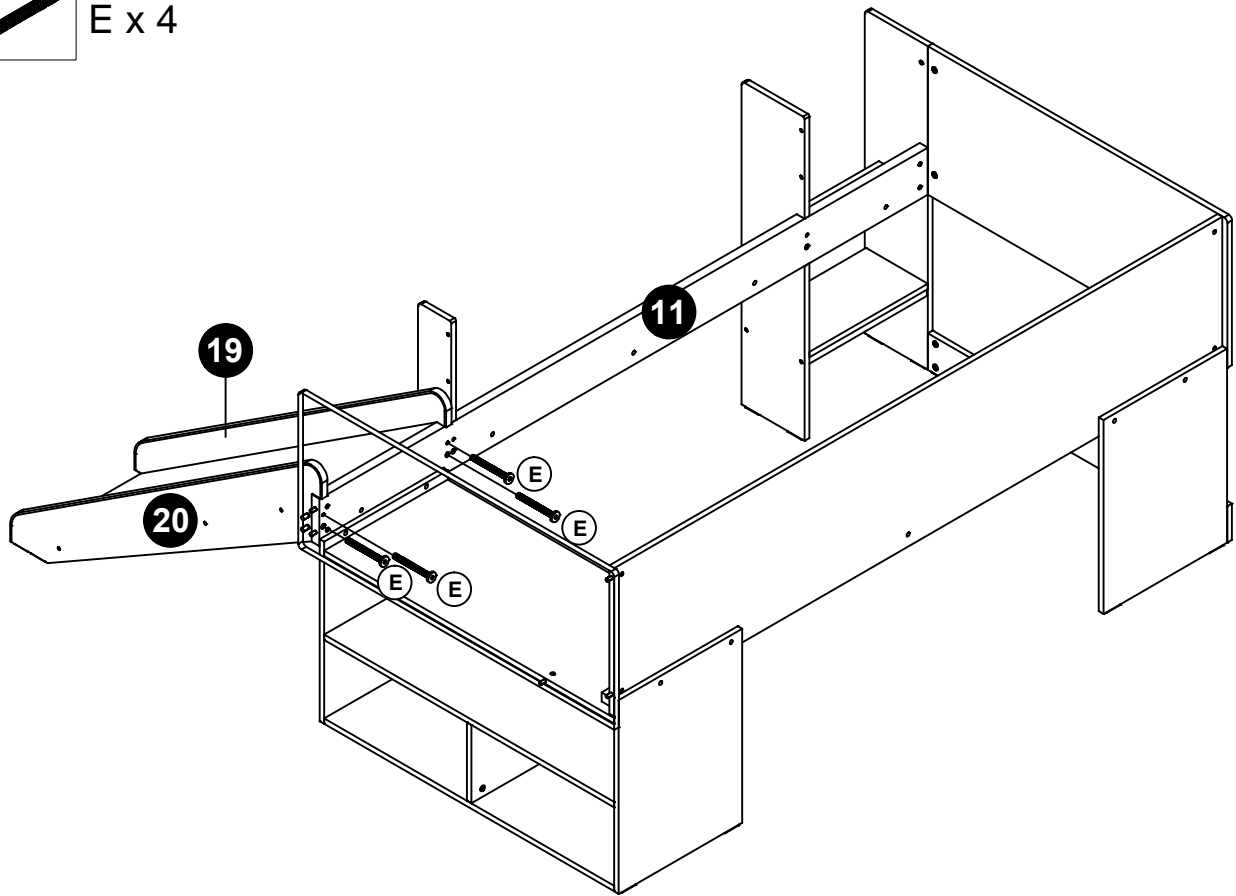
 M x 2





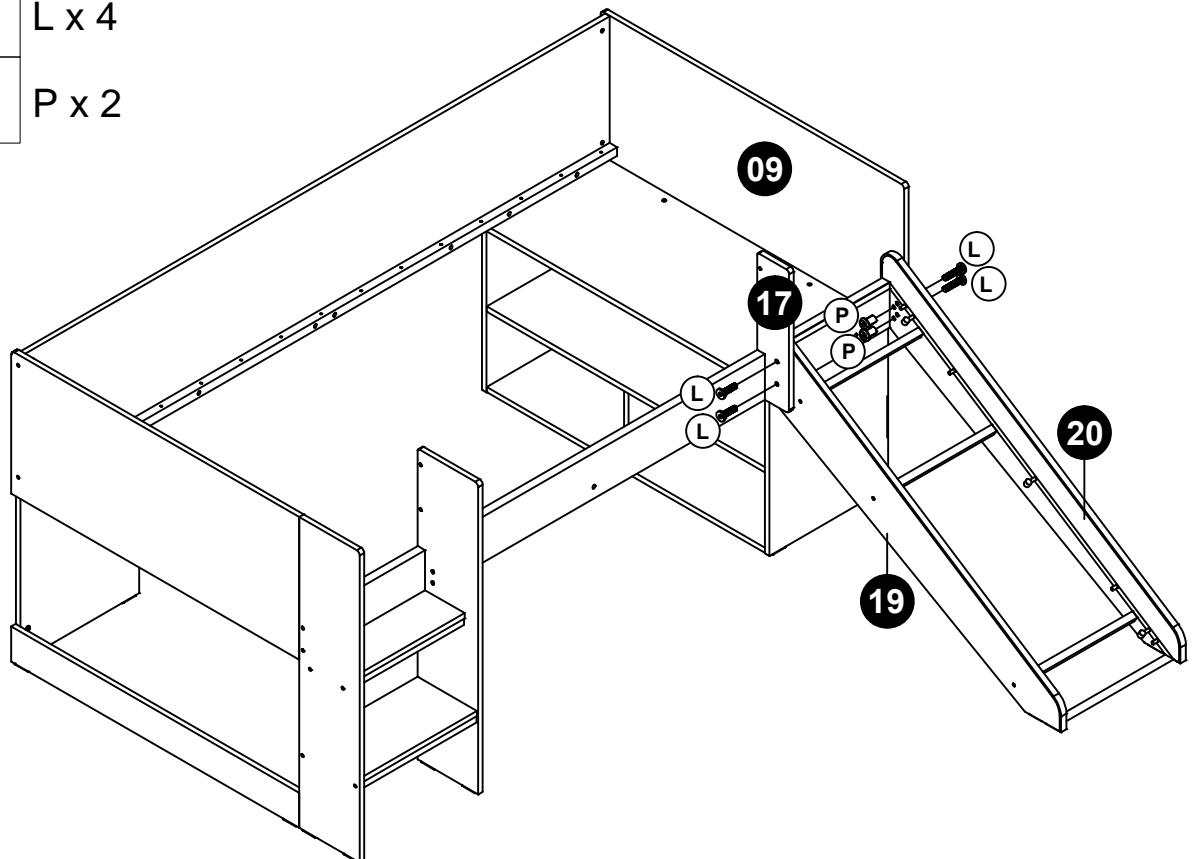
Guide To Assembly

Model : MG 7774

24  E x 4

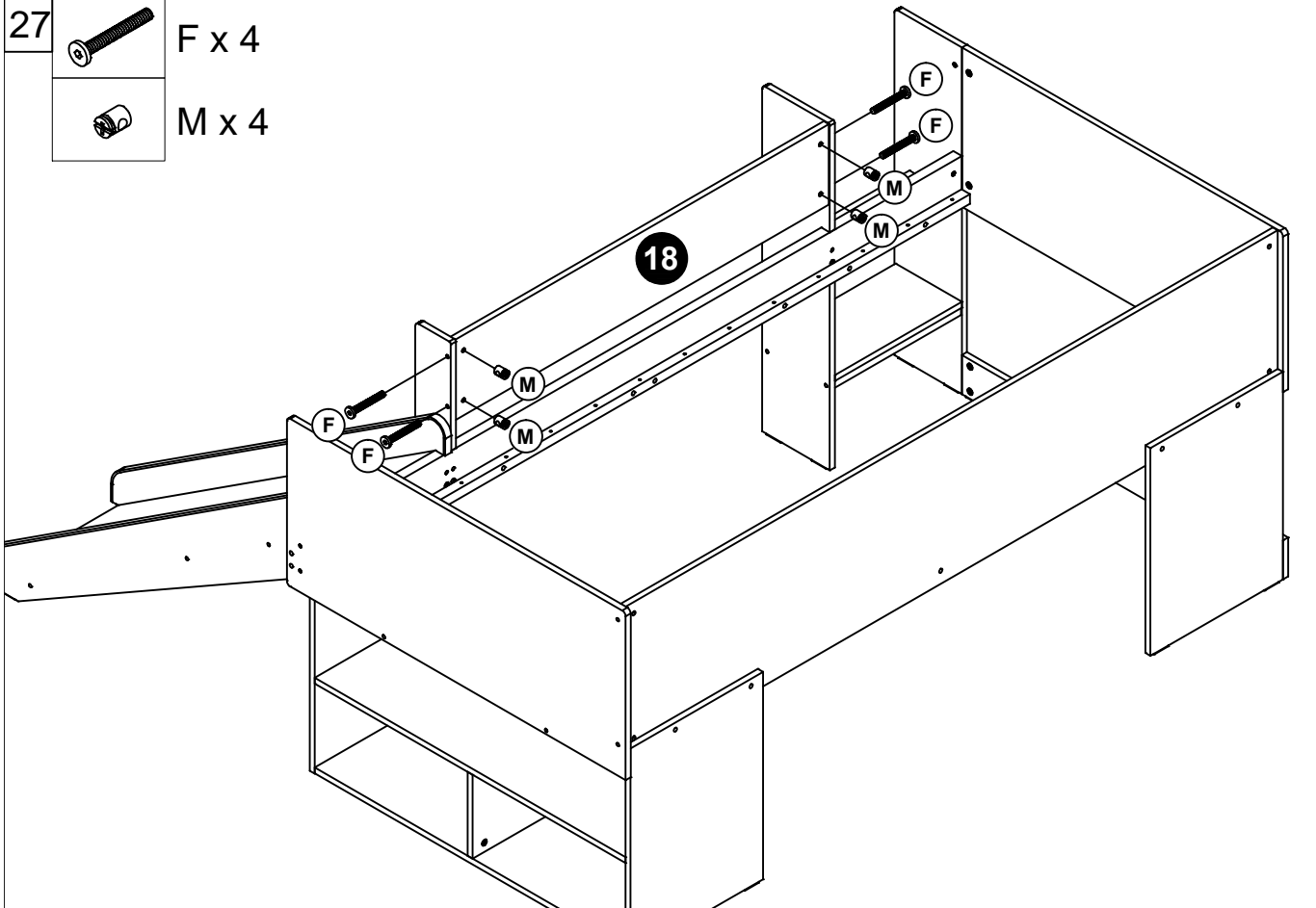
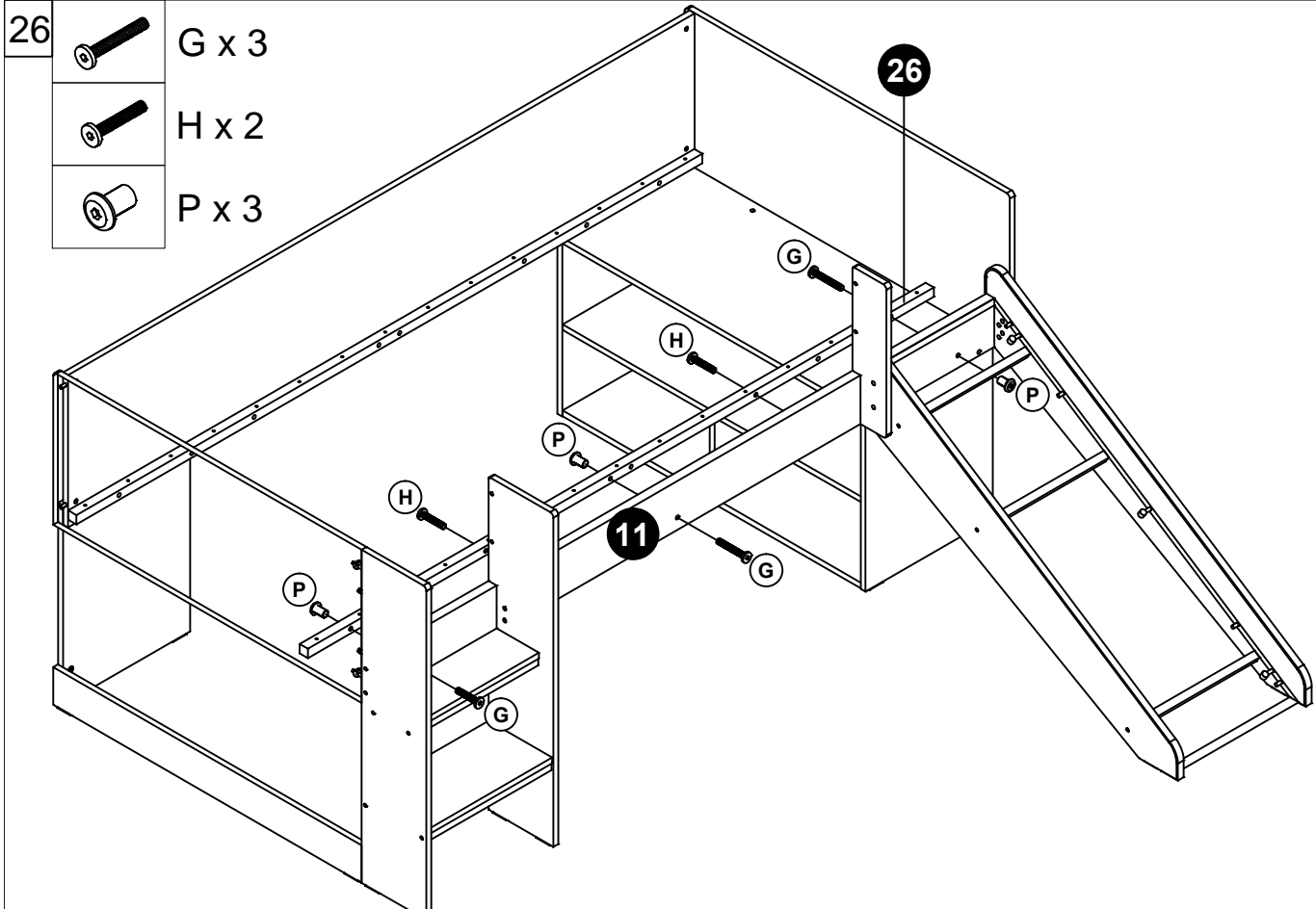


25  L x 4
 P x 2



Guide To Assembly

Model : MG 7774



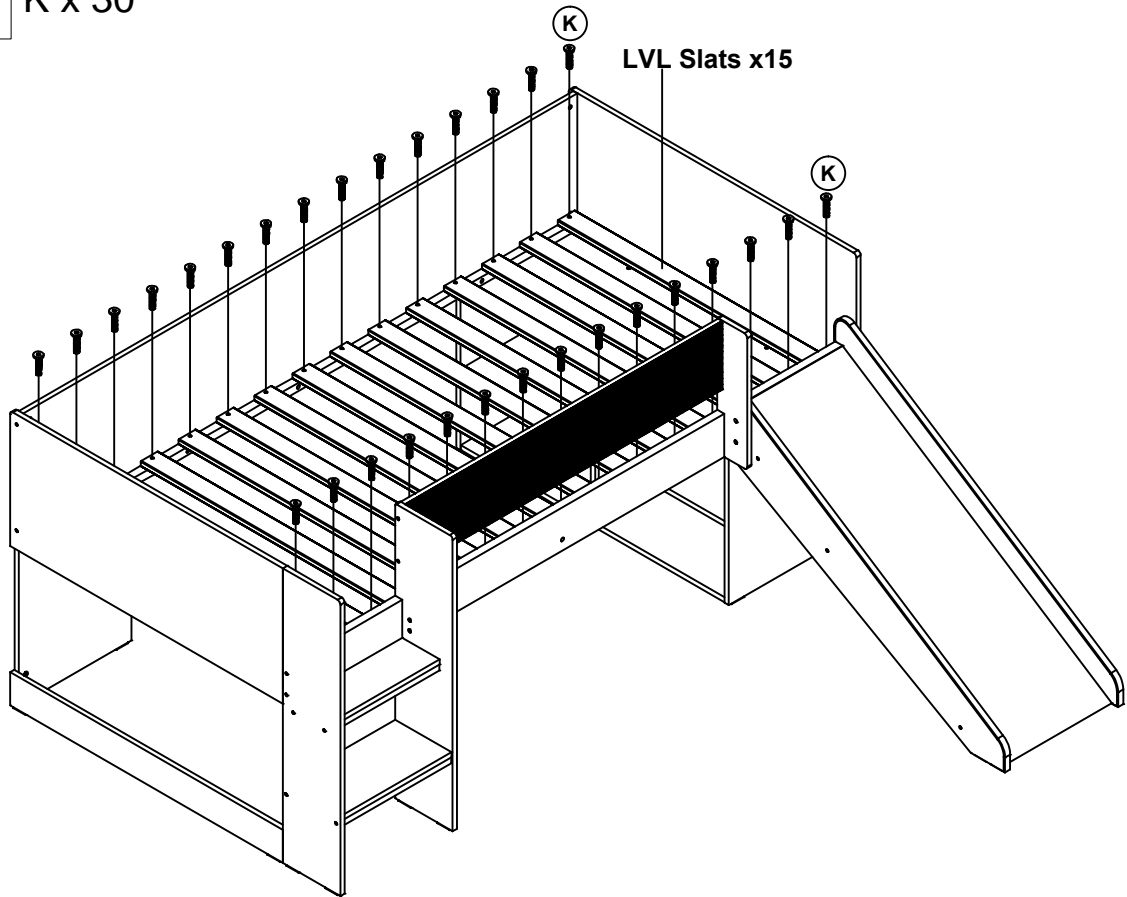
Guide To Assembly

Model : MG 7774

28



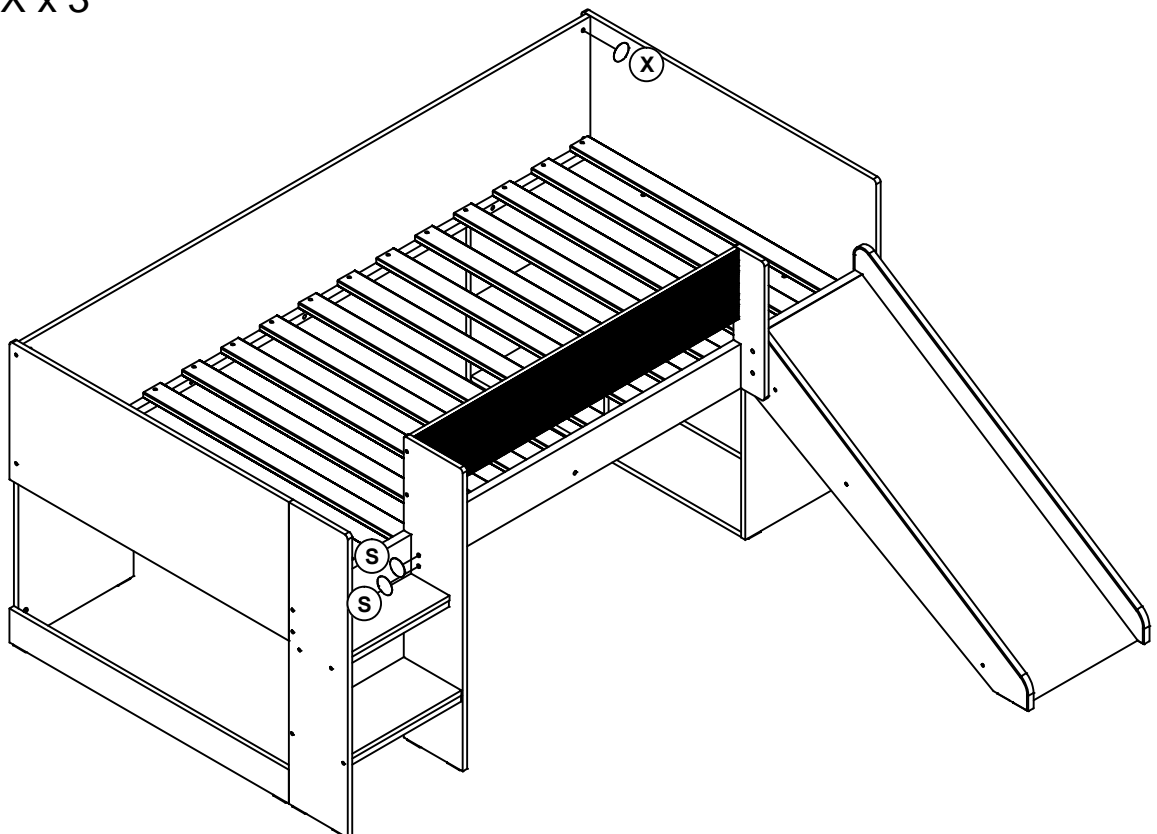
K x 30



29



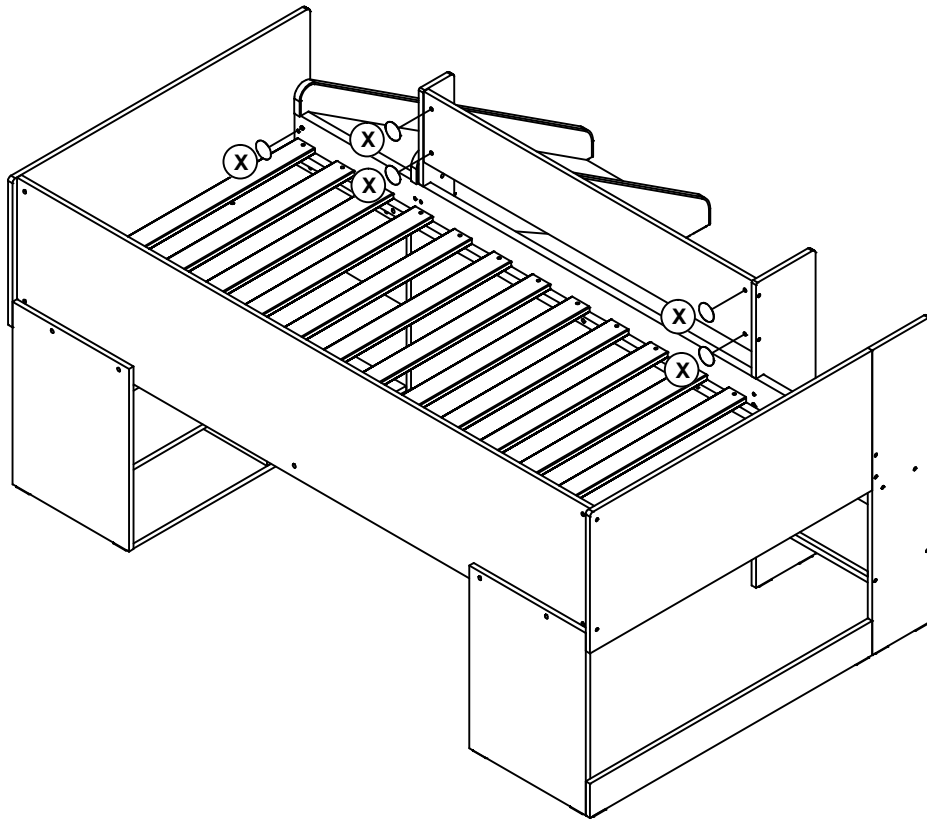
X x 3



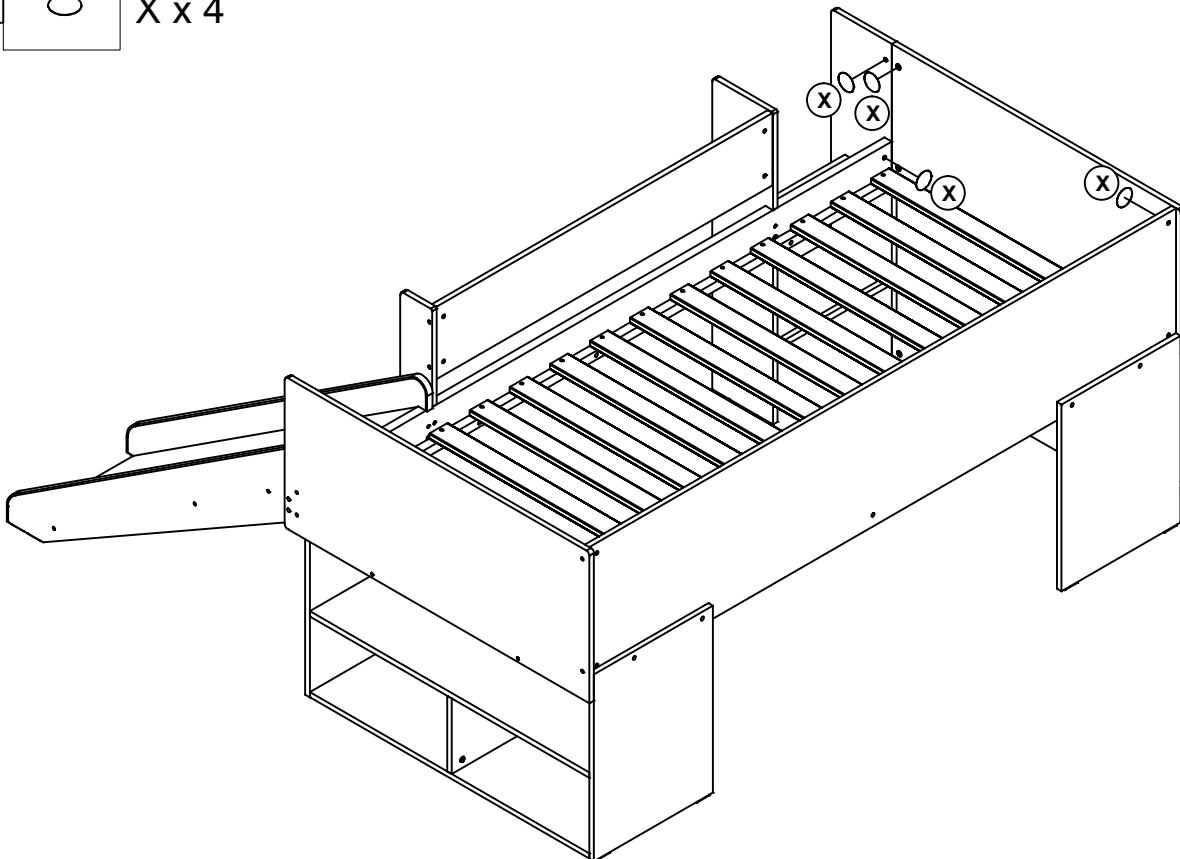
Guide To Assembly

Model : MG 7774

30 ○ X x 5



31 ○ X x 4



Guide To Assembly

Model : MG 7774

32



A x 20



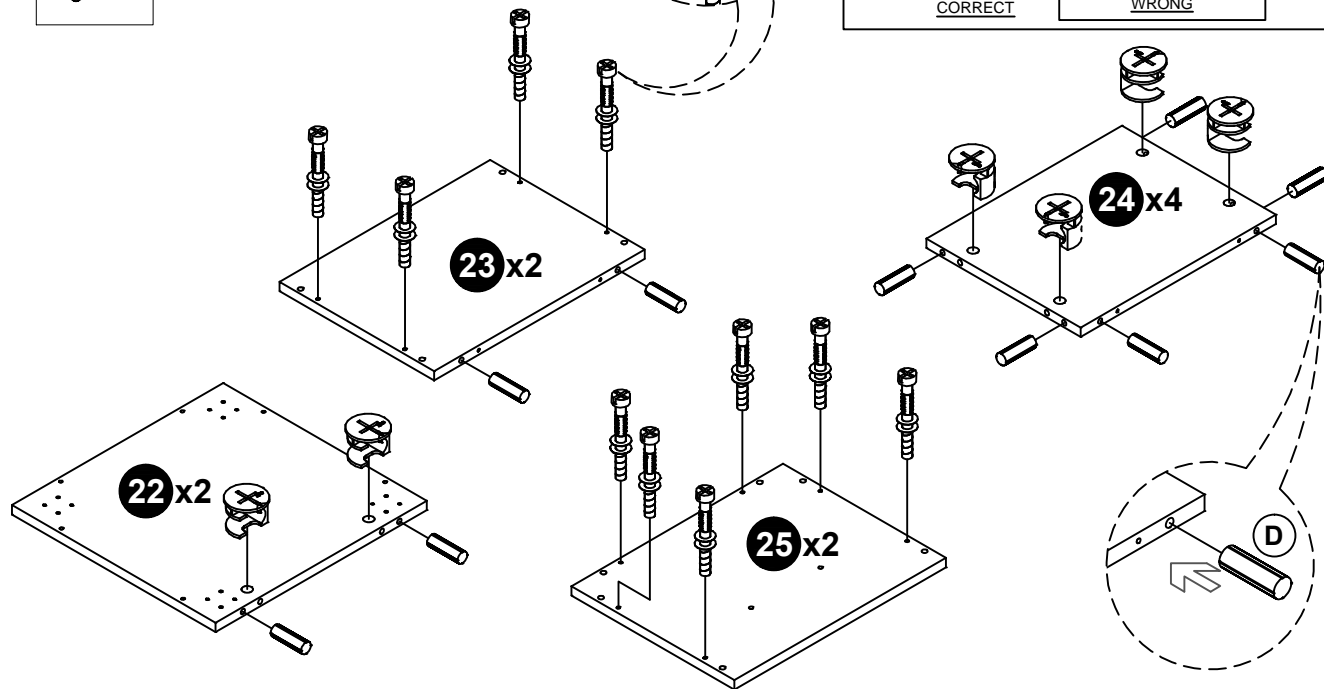
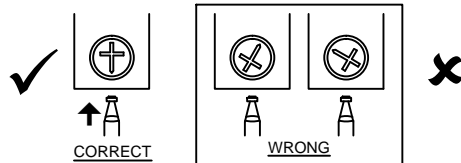
B x 20



D x 32

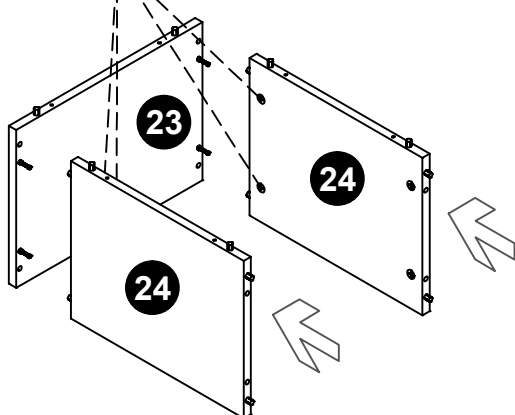
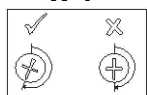
WHEN FITTING CAMS

ENSURE STARTING POSITION IS CORRECT
BEFORE YOU INSERT CONNECTING BOLT
TURN CLOCKWISE UNTIL SECURE



33

x 4



Do This Step 2 Times

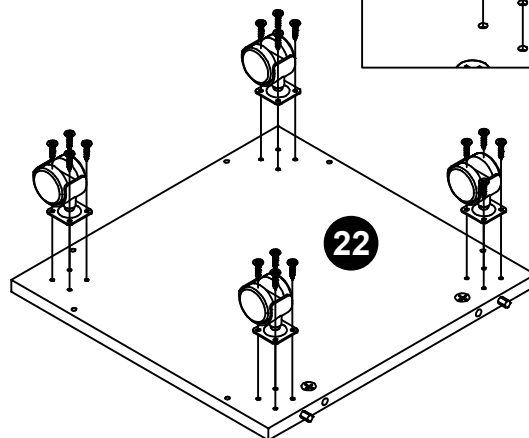
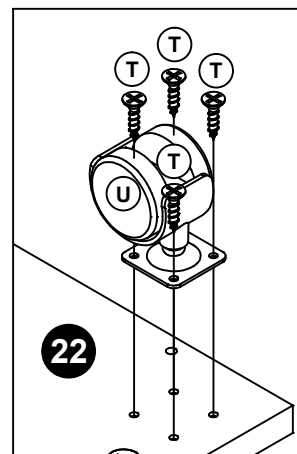
34



T x 32



U x 8



Do This Step 2 Times

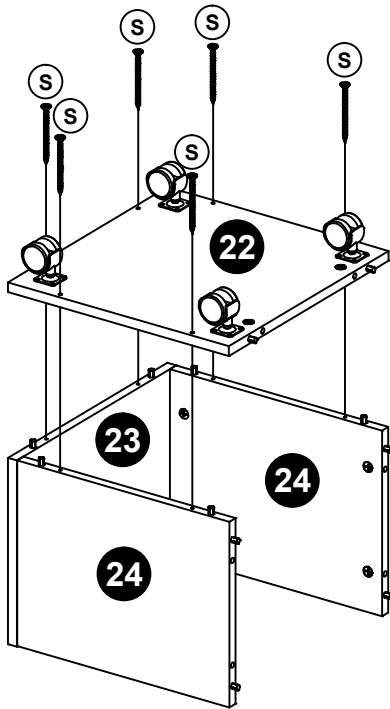
Guide To Assembly

Model : MG 7774

35

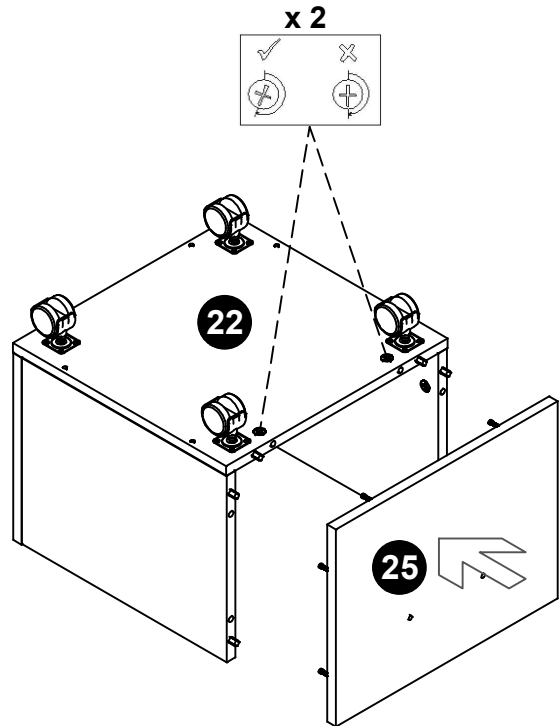


S x 12



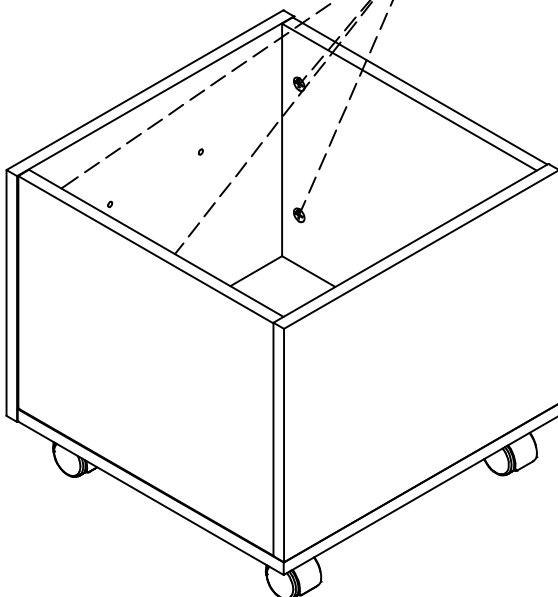
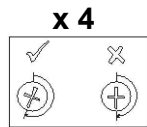
Do This Step 2 Times

36



Do This Step 2 Times

37



Do This Step 2 Times

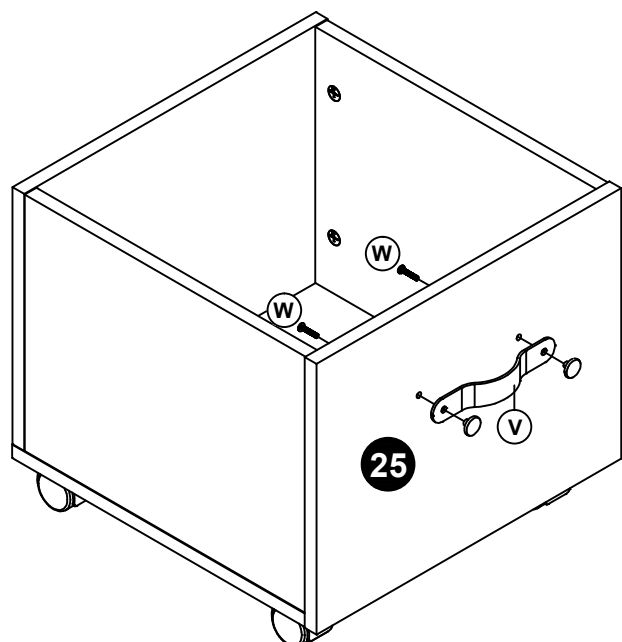
38



V x 2



W x 4

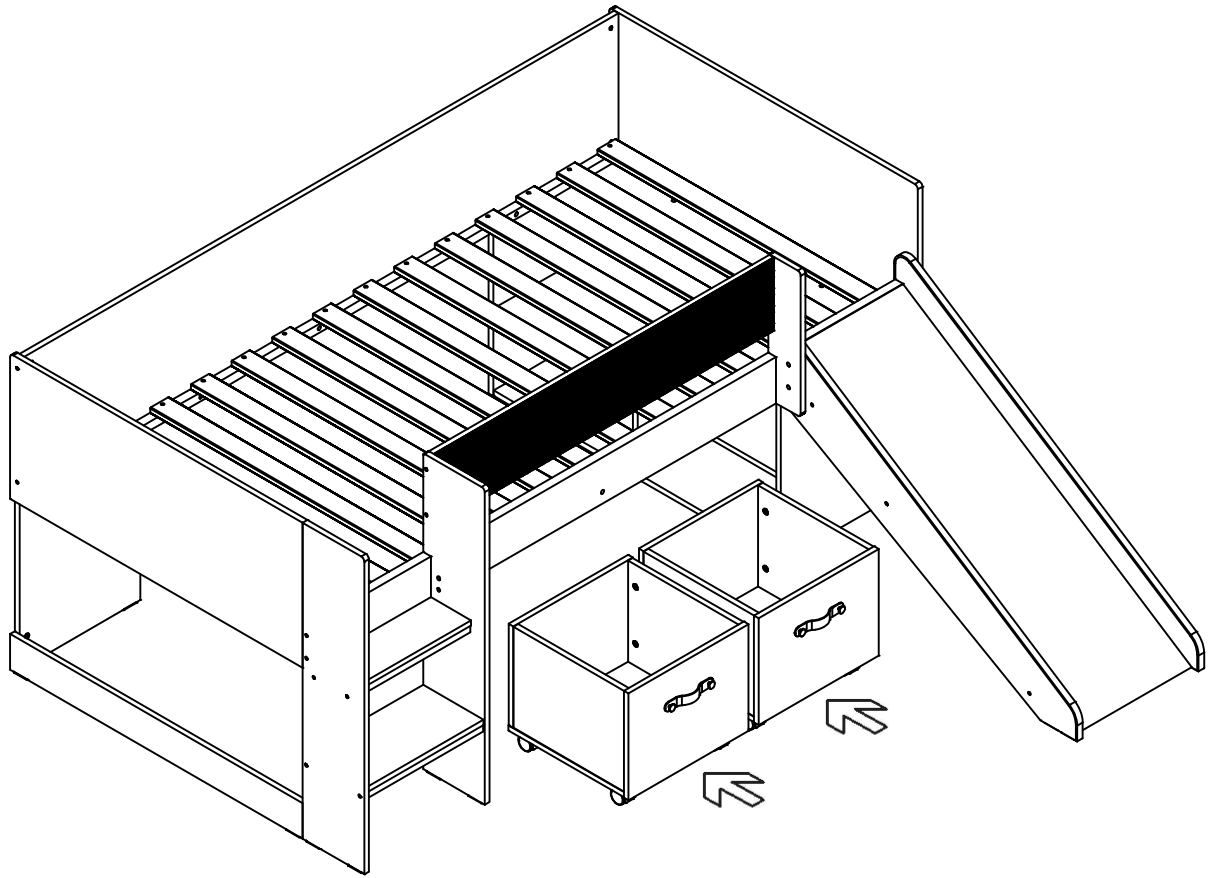


Do This Step 2 Times

Guide To Assembly

Model : MG 7774

39



40

